

# PROflex<sup>®</sup>

TIMING BELTS  
& TIMING PULLEYS

PROflex<sup>®</sup>

PROflex<sup>®</sup>

PROflex<sup>®</sup>

PROflex<sup>®</sup>

PROflex<sup>®</sup>

PROflex<sup>®</sup>

PROflex<sup>®</sup>

PROflex<sup>®</sup>

PROflex<sup>®</sup>

PROflex<sup>®</sup>

PROflex<sup>®</sup>

PROflex<sup>®</sup>

PROflex<sup>®</sup>

PROflex<sup>®</sup>

PROflex<sup>®</sup>

PROflex<sup>®</sup>

PROflex<sup>®</sup>

PROflex<sup>®</sup>

PROflex<sup>®</sup>

PROflex<sup>®</sup>

PROflex<sup>®</sup>

PROflex<sup>®</sup> Classic

PROflex<sup>®</sup> HTD

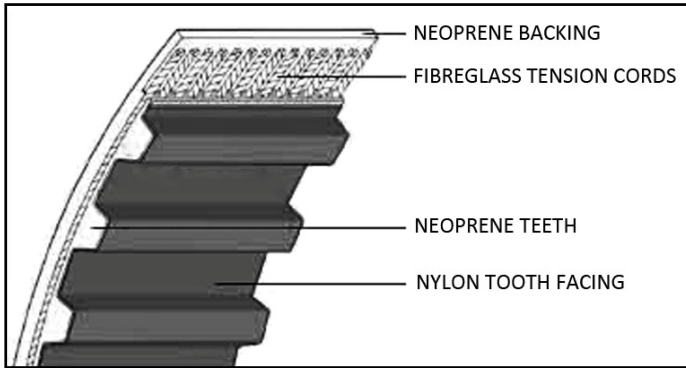
PROflex<sup>®</sup> Poly-V



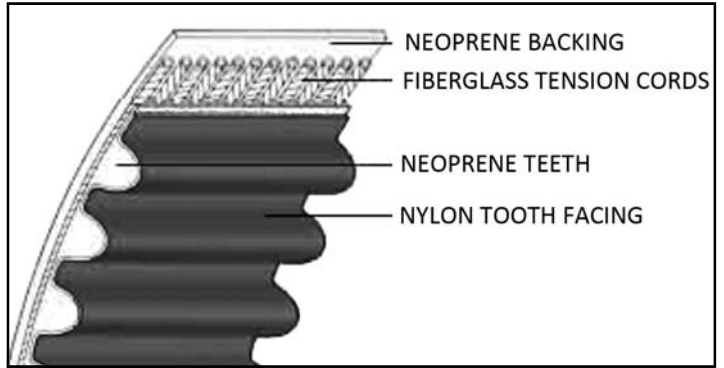


# PROflex<sup>®</sup> Timing Belt Construction

**PROflex CLASSIC BELT CONSTRUCTION**



**PROflex HTD BELT CONSTRUCTION**



These are the components of the synchronous drive belt:

## **NEOPRENE BELT BACK AND TEETH:**

The teeth and the belt top are made from highly loadable neoprene rubber. A special manufacturing process ensures an excellent adhesion between the neoprene and both the tensile member and the nylon tooth facing.

## **NYLON TOOTH FACING:**

A durable protection of the teeth is an essential precondition for smooth operation and a long service life. This is ensured by the application of particularly abrasion-resistant nylon fabric with low friction coefficients on the belts teeth.

## **FIBREGLASS TENSION CORDS:**

Synchronous belt drives call for a high degree of length stability and tensile strength. These requirements are optimally met by low-elongation tensile members of fiberglass cord helically wound over the entire belt width. Any longitudinal off-track running will be largely prevented by the use of tensile cords twined in reversed pairs (S/Z).

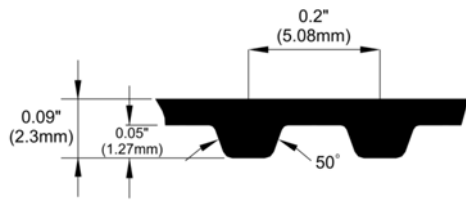
Further design features:

- High resistance to fatigue failure
- Temperature (-20° to +120° C) and ageing-resistant
- High resistance to tearing

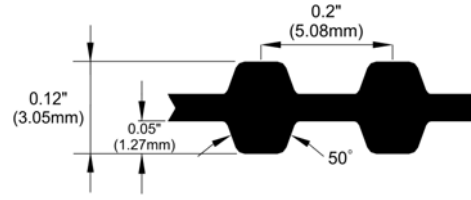
# PROflex® Classic

# XL

EXTRA LIGHT PITCH  
1/5" PITCH (5.08mm)



**XL SINGLE SIDED**



**XL DOUBLE SIDED**

BELT NO.	LENGTH		NO. OF TEETH
	Inches	mm	
60 XL	6.0	152.4	30
70 XL	7.0	177.8	35
80 XL	8.0	203.2	40
90 XL	9.0	228.6	45
94 XL	9.4	238.8	47
96 XL	9.6	243.8	48
98 XL	9.8	248.9	49
100 XL	10.0	254.0	50
102 XL	10.2	259.1	51
106 XL	10.6	269.2	53
110 XL	11.0	279.4	55
116 XL	11.6	294.6	58
120 XL	12.0	304.8	60
130 XL	13.0	330.2	65
140 XL	14.0	355.6	70
142 XL	14.2	360.7	71
150 XL	15.0	381.0	75
160 XL	16.0	406.4	80
170 XL	17.0	431.8	85
180 XL	18.0	457.2	90
190 XL	19.0	482.6	95
200 XL	20.0	508.0	100
202 XL	20.2	513.1	101
210 XL	21.0	533.4	105
220 XL	22.0	558.8	110
228 XL	22.8	579.1	114
230 XL	23.0	584.2	115
240 XL	24.0	609.6	120
250 XL	25.0	635.0	125
260 XL	26.0	660.4	130
270 XL	27.0	685.8	135
290 XL	29.0	736.6	145
300 XL	30.0	762.0	150
310 XL	31.0	787.4	155
316 XL	31.6	802.6	158
322 XL	32.2	817.9	161
330 XL	33.0	838.2	165
340 XL	34.0	863.6	170
352 XL	35.2	894.1	176
380 XL	38.0	965.2	190
384 XL	38.4	975.4	192
390 XL	39.0	990.6	195
434 XL	43.4	1102.4	217
460 XL	46.0	1168.4	230

BELT NO.	LENGTH		NO. OF TEETH
	Inches	mm	
D60 XL	6.0	152.4	30
D70 XL	7.0	177.8	35
D80 XL	8.0	203.2	40
D90 XL	9.0	228.6	45
D100 XL	10.0	254.0	50
D110 XL	11.0	279.4	55
D120 XL	12.0	304.8	60
D130 XL	13.0	330.2	65
D140 XL	14.0	355.6	70
D150 XL	15.0	381.0	75
D160 XL	16.0	406.4	80
D170 XL	17.0	431.8	85
D180 XL	18.0	457.2	90
D190 XL	19.0	482.6	95
D200 XL	20.0	508.0	100
D210 XL	21.0	533.4	105
D220 XL	22.0	558.8	110
D230 XL	23.0	584.2	115
D240 XL	24.0	609.6	120
D250 XL	25.0	635.0	125
D260 XL	26.0	660.4	130
D280 XL	28.0	711.2	140
D290 XL	29.0	736.6	145
D300 XL	30.0	762.0	150
D310 XL	31.0	787.4	155
D330 XL	33.0	838.2	165
D364 XL	36.4	924.6	182
D380 XL	38.0	965.2	190
D390 XL	39.0	990.6	195
D392 XL	39.2	995.7	196
D450 XL	45.0	1143.0	225
D492 XL	49.2	1249.7	246
D690 XL	69.0	1752.6	345
D900 XL	90.0	2286.0	450

STANDARD BELT WIDTHS	
	1/4" = 025
	3/8" = 037
	1/2" = 050
	3/4" = 075
	1" = 100

**130XL037 PROflex® Classic**

Add (D) Double Sided

Length (13.0")

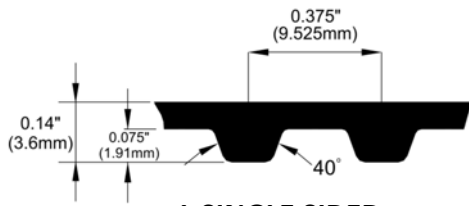
Pitch Type

Width Code (3/8")

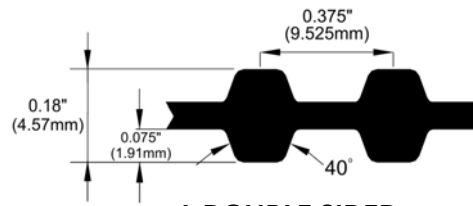
# PROflex® Classic

# L

LIGHT PITCH  
3/8" PITCH (9.525mm)



**L SINGLE SIDED**



**L DOUBLE SIDED**

BELT NO.	LENGTH		NO. OF TEETH
	Inches	mm	
124 L	12.37	314.2	33
135 L	13.50	342.9	36
150 L	15.00	381.0	40
165 L	16.50	419.1	44
173 L	17.25	438.2	46
187 L	18.75	476.3	50
195 L	19.50	495.3	52
202 L	20.25	514.4	54
210 L	21.00	533.4	56
217 L	21.75	552.5	58
225 L	22.50	571.5	60
240 L	24.00	609.6	64
255 L	25.50	647.7	68
270 L	27.00	685.8	72
285 L	28.50	723.9	76
300 L	30.00	762.0	80
304 L	30.375	771.5	81
322 L	32.25	819.2	86
334 L	33.375	847.7	89
345 L	34.50	876.3	92
367 L	36.75	933.5	98
390 L	39.00	990.6	104
405 L	40.50	1028.7	108
420 L	42.00	1066.8	112
450 L	45.00	1143.0	120
480 L	48.00	1219.2	128
510 L	51.00	1295.4	136
540 L	54.00	1371.6	144
600 L	60.00	1524.0	160
660 L	66.00	1676.4	176
697 L	69.75	1771.7	186
720 L	72.00	1828.8	192
728 L	72.75	1847.9	194

BELT NO.	LENGTH		NO. OF TEETH
	Inches	mm	
D124 L	12.37	314.2	33
D150 L	15.00	381.0	40
D187 L	18.75	476.3	50
D210 L	21.00	533.4	56
D225 L	22.50	571.5	60
D240 L	24.00	609.6	64
D255 L	25.50	647.7	68
D270 L	27.00	685.8	72
D285 L	28.50	723.9	76
D300 L	30.00	762.0	80
D322 L	32.25	819.2	86
D345 L	34.50	876.3	92
D367 L	36.75	933.5	98
D390 L	39.00	990.6	104
D420 L	42.00	1066.8	112
D450 L	45.00	1143.0	120
D480 L	48.00	1219.2	128
D510 L	51.00	1295.4	136
D540 L	54.00	1371.6	144
D600 L	60.00	1524.0	160
D660 L	66.00	1676.4	176
D915 L	91.50	2324.1	244

STANDARD BELT WIDTHS	
	1/2" = 050
	3/4" = 075
	1" = 100

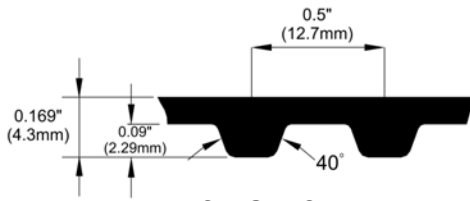
**255L075 PROflex® Classic**

Add (D) Double Sided  
 Length (13.0")  
 Pitch Type  
 Width Code (3/8")

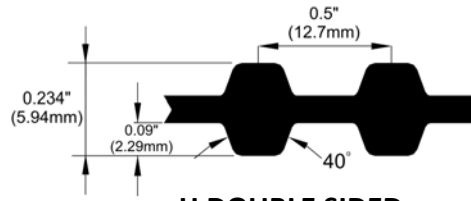
# PROflex® Classic

# H

HEAVY PITCH  
1/2" PITCH (12.7mm)



**H SINGLE SIDED**



**H DOUBLE SIDED**

BELT NO.	LENGTH		NO. OF TEETH
	Inches	mm	
210 H	21	533.4	42
230 H	23	584.2	46
240 H	24	609.6	48
255 H	25.5	647.7	51
270 H	27	685.8	54
280 H	28	711.2	56
300 H	30	762.0	60
330 H	33	838.2	66
340 H	34	863.6	68
360 H	36	914.4	72
390 H	39	990.6	78
410 H	41	1041.4	82
420 H	42	1066.8	84
450 H	45	1143.0	90
480 H	48	1219.2	96
490 H	49	1244.6	98
510 H	51	1295.4	102
540 H	54	1371.6	108
570 H	57	1447.8	114
600 H	60	1524.0	120
630 H	63	1600.2	126
660 H	66	1676.4	132
700 H	70	1778.0	140
730 H	73	1854.2	146
750 H	75	1905.0	150
800 H	80	2032.0	160
850 H	85	2159.0	170
900 H	90	2286.0	180
960 H	96	2438.4	192
1000 H	100	2540.0	200
1070 H	107	2717.8	214
1100 H	110	2794.0	220
1150 H	115	2921.0	230
1250 H	125	3175.0	250
1400 H	140	3556.0	280
1700 H	170	4318.0	340

BELT NO.	LENGTH		NO. OF TEETH
	Inches	mm	
D240 H	24	609.6	48
D270 H	27	685.8	54
D300 H	30	762.0	60
D330 H	33	838.2	66
D360 H	36	914.4	72
D390 H	39	990.6	78
D420 H	42	1066.8	84
D450 H	45	1143.0	90
D480 H	48	1219.2	96
D510 H	51	1295.4	102
D540 H	54	1371.6	108
D570 H	57	1447.8	114
D600 H	60	1524.0	120
D630 H	63	1600.2	126
D660 H	66	1676.4	132
D700 H	70	1778.0	140
D750 H	75	1905.0	150
D800 H	80	2032.0	160
D850 H	85	2159.0	170
D880 H	88	2235.2	176
D900 H	90	2286.0	180
D1000 H	100	2540.0	200
D1100 H	110	2794.0	220
D1250 H	125	3175.0	250
D1400 H	140	3556.0	280
D1700 H	170	4318.0	340

STANDARD BELT WIDTHS	
	3/4" = 075
	1" = 100
	1.5" = 150
	2" = 200
	3" = 300

## 700H200 PROflex® Classic

Add (D) Double Sided

Length (70.0")

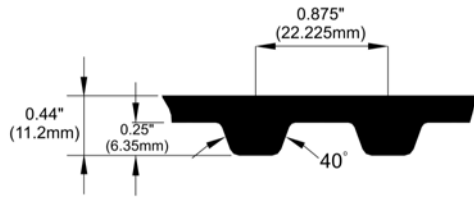
Pitch Type

Width Code (2")

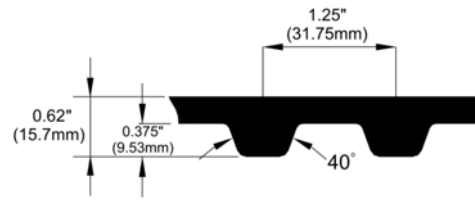
# PROflex® Classic

**XH**  
EXTRA HEAVY  
7/8" PITCH (22.225mm)

**XXH**  
DOUBLE EXTRA HEAVY  
1.25" PITCH (31.75mm)



**XH SINGLE SIDED**



**XXH SINGLE SIDED**

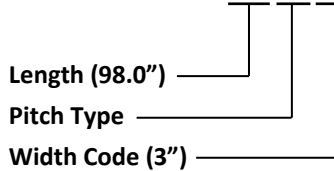
BELT NO.	LENGTH		NO. OF TEETH
	Inches	mm	
507XH	50.75	1289.1	58
560XH	56.00	1422.4	64
630XH	63.00	1600.2	72
700XH	70.00	1778.0	80
770XH	77.00	1955.8	88
840XH	84.00	2133.6	96
980XH	98.00	2489.2	112
1120XH	112.00	2844.8	128
1260XH	126.00	3200.4	144
1400XH	140.00	3556.0	160
1540XH	154.00	3911.6	176
1750XH	175.00	4445.0	200

BELT NO.	LENGTH		NO. OF TEETH
	Inches	mm	
700 XXH	70	1778	56
800 XXH	80	2032	64
900 XXH	90	2286	72
1000 XXH	100	2540	80
1200 XXH	120	3048	96
1400 XXH	140	3556	112
1600 XXH	160	4064	128
1800 XXH	180	4572	144

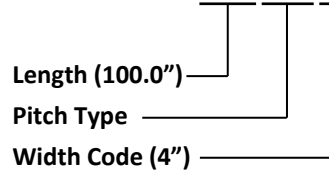
<b>STANDARD BELT WIDTHS</b>	2" = 200 3" = 300 4" = 400 5" = 500
-----------------------------	--

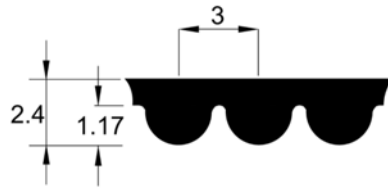
<b>STANDARD BELT WIDTHS</b>	2" = 200 3" = 300 4" = 400 5" = 500
-----------------------------	--

**980XH300 PROflex® Classic**



**1000XXH400 PROflex® Classic**





### 3M SINGLE SIDED

BELT NO.	LENGTH mm	NO. OF TEETH
123 - 3M	123	41
177 - 3M	177	59
195 - 3M	195	65
225 - 3M	225	75
237 - 3M	237	79
246 - 3M	246	82
252 - 3M	252	84
255 - 3M	255	85
267 - 3M	267	89
285 - 3M	285	95
300 - 3M	300	100
330 - 3M	330	110
351 - 3M	351	117
357 - 3M	357	119
384 - 3M	384	128
399 - 3M	399	133
420 - 3M	420	140
447 - 3M	447	149
474 - 3M	474	158
480 - 3M	480	160
501 - 3M	501	167
537 - 3M	537	179

STANDARD BELT WIDTHS	6mm = 06 9mm = 09 15mm = 15
----------------------	-----------------------------------

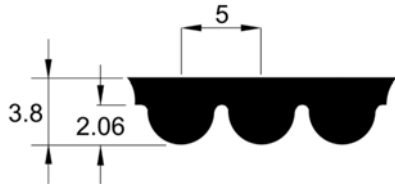
### 384-3M-06 PROflex® HTD

Length (384mm) \_\_\_\_\_  
 Pitch Type \_\_\_\_\_  
 Width Code (6mm) \_\_\_\_\_

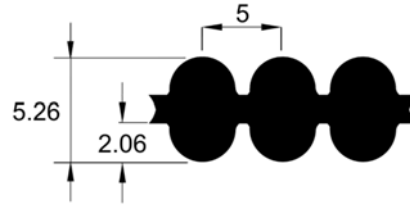


# PROflex® HTD

# 5M (5mm PITCH)



**5M SINGLE SIDED**



**5M DOUBLE SIDED**

BELT NO.	LENGTH mm	NO. OF TEETH
225 - 5M	225	45
235 - 5M	235	47
245 - 5M	245	49
320 - 5M	320	64
330 - 5M	330	66
350 - 5M	350	70
375 - 5M	375	75
380 - 5M	380	76
390 - 5M	390	78
400 - 5M	400	80
420 - 5M	420	84
425 - 5M	425	85
450 - 5M	450	90
460 - 5M	460	92
475 - 5M	475	95
480 - 5M	480	96
500 - 5M	500	100
525 - 5M	525	105
535 - 5M	535	107
550 - 5M	550	110
560 - 5M	560	112
565 - 5M	565	113
575 - 5M	575	115
600 - 5M	600	120
610 - 5M	610	122
625 - 5M	625	125
635 - 5M	635	127
640 - 5M	640	128
665 - 5M	665	133
670 - 5M	670	134
700 - 5M	700	140
710 - 5M	710	142
740 - 5M	740	148
750 - 5M	750	150
800 - 5M	800	160
835 - 5M	835	167
860 - 5M	860	172
890 - 5M	890	178
935 - 5M	935	187
950 - 5M	950	190
980 - 5M	980	196
1000 - 5M	1000	200
1025 - 5M	1025	205
1050 - 5M	1050	210
1125 - 5M	1125	225
1195 - 5M	1195	239
1200 - 5M	1200	240
1225 - 5M	1225	245
1270 - 5M	1270	254
1350 - 5M	1350	270
1420 - 5M	1420	284
1595 - 5M	1595	319
1800 - 5M	1800	360
1945 - 5M	1945	389
2000 - 5M	2000	400

BELT NO.	LENGTH mm	NO. OF TEETH
D600 - 5M	600	120
D635 - 5M	635	127
D700 - 5M	700	140
D800 - 5M	800	160
D835 - 5M	835	167
D890 - 5M	890	178
D935 - 5M	935	187
D1100 - 5M	1100	220
D1270 - 5M	1270	254
D2350 - 5M	2350	470

STANDARD BELT WIDTHS	
	9mm = 09
	15mm = 15
	25mm = 25

**560-5M-15 PROflex® HTD**

Add (D) Double Sided

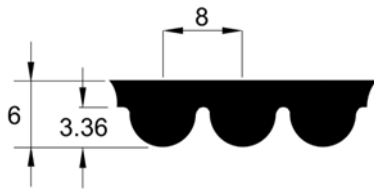
Length (560mm)

Pitch Type

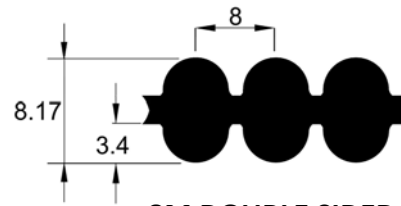
Width Code (15mm)

# PROflex® HTD

# 8M (8mm PITCH)



**8M SINGLE SIDED**



**8M DOUBLE SIDED**

BELT NO.	LENGTH mm	NO. OF TEETH
376 - 8M	376	47
480 - 8M	480	60
560 - 8M	560	70
600 - 8M	600	75
624 - 8M	624	78
640 - 8M	640	80
672 - 8M	672	84
720 - 8M	720	90
800 - 8M	800	100
840 - 8M	840	105
880 - 8M	880	110
944 - 8M	944	118
960 - 8M	960	120
1000 - 8M	1000	125
1040 - 8M	1040	130
1056 - 8M	1056	132
1080 - 8M	1080	135
1120 - 8M	1120	140
1128 - 8M	1128	141
1200 - 8M	1200	150
1216 - 8M	1216	152
1224 - 8M	1224	153
1248 - 8M	1248	156
1280 - 8M	1280	160
1360 - 8M	1360	170
1440 - 8M	1440	180
1600 - 8M	1600	200
1760 - 8M	1760	220
1800 - 8M	1800	225
1856 - 8M	1856	232
2000 - 8M	2000	250
2240 - 8M	2240	280
2400 - 8M	2400	300
2600 - 8M	2600	325
2800 - 8M	2800	350
3048 - 8M	3048	381
3280 - 8M	3280	410
3600 - 8M	3600	450
4400 - 8M	4400	550

BELT NO.	LENGTH mm	NO. OF TEETH
D480 - 8M	480	60
D560 - 8M	560	70
D600 - 8M	600	75
D640 - 8M	640	80
D720 - 8M	720	90
D800 - 8M	800	100
D880 - 8M	880	110
D960 - 8M	960	120
D1040 - 8M	1040	130
D1120 - 8M	1120	140
D1200 - 8M	1200	150
D1280 - 8M	1280	160
D1360 - 8M	1360	170
D1440 - 8M	1440	180
D1480 - 8M	1480	185
D1600 - 8M	1600	200
D1760 - 8M	1760	220
D1776 - 8M	1776	222
D1800 - 8M	1800	225
D2000 - 8M	2000	250
D2080 - 8M	2080	260
D2272 - 8M	2272	284
D2400 - 8M	2400	300
D2600 - 8M	2600	325
D2800 - 8M	2800	350
D3280 - 8M	3280	410
D3600 - 8M	3600	450

STANDARD BELT WIDTHS	
	20mm = 20
	30mm = 30
	50mm = 50
	85mm = 85

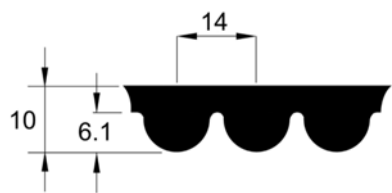
**1200-8M-50 PROflex® HTD**

Add (D) Double Sided

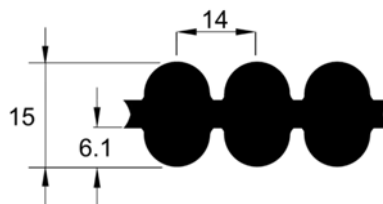
Length (1200mm)

Pitch Type

Width Code (50mm)



**14M SINGLE SIDED**



**14M DOUBLE SIDED**

BELT NO.	LENGTH mm	NO. OF TEETH
966 - 14M	966	69
1190 - 14M	1190	85
1246 - 14M	1246	89
1400 - 14M	1400	100
1610 - 14M	1610	115
1778 - 14M	1778	127
1890 - 14M	1890	135
1946 - 14M	1946	139
2100 - 14M	2100	150
2310 - 14M	2310	165
2450 - 14M	2450	175
2590 - 14M	2590	185
2800 - 14M	2800	200
3150 - 14M	3150	225
3360 - 14M	3360	240
3500 - 14M	3500	250
3850 - 14M	3850	275
4326 - 14M	4326	309
4578 - 14M	4578	327
4956 - 14M	4956	354

BELT NO.	LENGTH mm	NO. OF TEETH
D1610 - 14M	1610	115
D1778 - 14M	1778	127
D1890 - 14M	1890	135
D2100 - 14M	2100	150
D2240 - 14M	2240	160
D2310 - 14M	2310	165
D2450 - 14M	2450	175
D2590 - 14M	2590	185
D2800 - 14M	2800	200
D3150 - 14M	3150	225
D3360 - 14M	3360	240
D3500 - 14M	3500	250
D3850 - 14M	3850	275
D4326 - 14M	4326	309
D4578 - 14M	4578	327

STANDARD BELT WIDTHS	
	40mm = 40
	55mm = 50
	85mm = 85
	115mm = 115
	170mm = 170

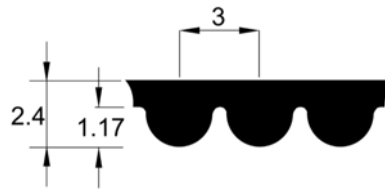
**1400-14M-85 PROflex® HTD**

Add (D) Double Sided

Length (1400mm)

Pitch Type

Width Code (85mm)

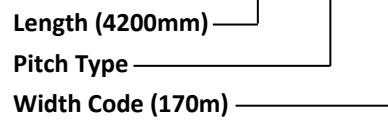


**20M SINGLE SIDED**

BELT NO.	LENGTH mm	NO. OF TEETH
2000 - 20M	2000	100
2500 - 20M	2500	125
3400 - 20M	3400	170
2800 - 20M	2800	140
4200 - 20M	4200	210
4600 - 20M	4600	230
5000 - 20M	5000	250
5200 - 20M	5200	260
5400 - 20M	5400	270
5800 - 20M	5800	290
6200 - 20M	6200	310
6600 - 20M	6600	330

STANDARD BELT WIDTHS	
	40mm = 40
	55mm = 50
	85mm = 85
	115mm = 115
	170mm = 170

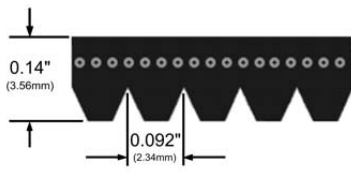
**4200-20M-170 PROflex® HTD**



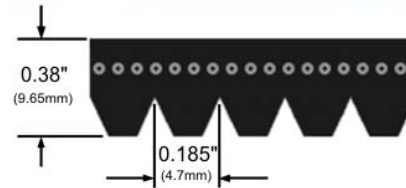
# PROflex® POLY-V

**J** (2.34mm PITCH)

**L** (4.7mm PITCH)



**J SECTION POLY-V (2.34mm)**



**L SECTION POLY-V (4.7mm)**

BELT NO.	LENGTH INCHES	LENGTH mm
140J	14	356
150J	15	381
160J	16	406
170J	17	432
180J	18	457
190J	19	483
200J	20	508
220J	22	559
240J	24	610
260J	26	660
280J	28	711
290J	29	737
300J	30	762
320J	32	813
330J	33	838
340J	34	864
360J	36	914
380J	38	965
400J	40	1016
430J	43	1092
460J	46	1168
470J	47	1194
473J	47.3	1201
480J	48	1219
490J	49	1245
510J	51	1295
520J	52	1321
550J	55	1397
580J	58	1473
610J	61	1549
650J	65	1651
690J	69	1753
730J	73	1854
770J	77	1956
870J	87	2210
920J	92	2337
980J	98	2489

BELT NO.	LENGTH INCHES	LENGTH mm
423L	42.3	1074
470L	47.0	1194
500L	50.0	1270
540L	54.0	1372
560L	56.0	1422
615L	61.5	1562
635L	63.5	1613
655L	65.5	1664
675L	67.5	1715
695L	69.5	1765
710L	71.0	1803
725L	72.5	1842
765L	76.5	1943
780L	78.0	1981
795L	79.5	2019
815L	81.5	2070
825L	82.5	2096
840L	84.0	2134
865L	86.5	2197
915L	91.5	2324
975L	97.5	2477
990L	99.0	2515
1065L	106.5	2705
1080L	108.0	2743
1120L	112.0	2845
1150L	115.0	2921
1215L	121.5	3086
1230L	123.0	3124
1295L	129.5	3289
1310L	131.0	3327
1455L	145.5	3696
1595L	159.5	4051

STANDARD BELT WIDTHS	4 RIBS 8 RIBS 12 RIBS 16 RIBS
----------------------	--

STANDARD BELT WIDTHS	8 RIBS 12 RIBS 16 RIBS 20 RIBS
----------------------	---

**380J12** PROflex® POLY-V  
 Length (38")  
 Pitch Type  
 Width Code (12 RIBS)

**655L16** PROflex® POLY-V  
 Length (65.5")  
 Pitch Type  
 Width Code (16 RIBS)

**Timing Pulleys to Suit  
PROflex<sup>®</sup> Timing Belts  
Pilot Bore**

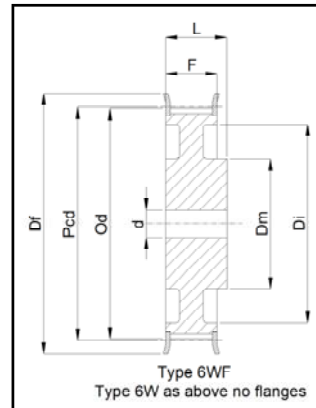
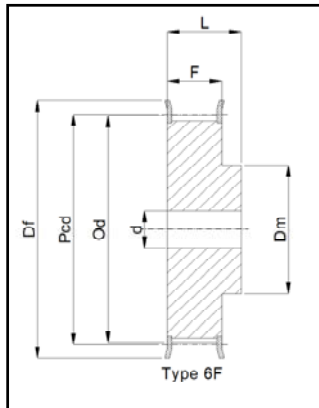
# Classic Timing Pulleys

**XL** EXTRA LIGHT PITCH  
1/5" PITCH (5.08mm)

## XL Pilot Bore Pulleys to suit 3/8" (9.525mm) wide belt

Pulley No.	Type	Teeth	Pcd	Od	Dm	Df (Di)	F	L	d	Weight	
10XL037-F	ALUMINIUM	6F	10	16.17	15.66	9.5	23	14.3	20	-	0.010
12XL037-F		6F	12	19.40	18.90	10	25	14.3	20	-	0.010
14XL037-F		6F	14	22.64	22.13	15	28	14.3	20	-	0.017
15XL037-F		6F	15	24.26	23.75	15	28	14.3	20	-	0.018
16XL037-F		6F	16	25.87	25.36	16	32	14.3	20	-	0.027
18XL037-F		6F	18	29.11	28.60	20	35	14.3	20	-	0.033
19XL037-F		6F	19	30.72	30.22	20	35	14.3	22	-	0.036
20XL037-F		6F	20	32.34	31.83	23.5	38	14.3	22	-	0.040
21XL037-F		6F	21	33.96	33.45	23.5	38	14.3	22	-	0.043
22XL037-F		6F	22	35.57	35.07	25	41	14.3	22	6	0.046
24XL037-F		6F	24	38.81	38.30	30	44	14.3	22	6	0.054
25XL037-F		6F	25	40.43	39.92	30	48	14.3	22	6	0.062
26XL037-F		6F	26	42.04	41.53	30	48	14.3	22	8	0.065
27XL037-F		6F	27	43.66	43.15	30	48	14.3	22	8	0.071
28XL037-F		6F	28	45.28	44.77	34	51	14.3	22	8	0.076
30XL037-F		6F	30	48.51	48.00	38	54	14.3	22	8	0.091
32XL037-F	6F	32	51.74	51.24	38	57	14.3	25	8	0.100	
36XL037-F	6F	36	58.21	57.70	45	66	14.3	25	8	0.150	
40XL037-F	6F	40	64.68	64.17	45	71	14.3	25	8	0.170	
44XL037	6	44	71.15	70.64	45	-	14.3	25	8	0.200	
48XL037	6W	48	77.62	77.11	45	(61)	14.3	25	10	0.200	
60XL037	6W	60	97.02	96.51	45	(80)	14.3	25	10	0.240	
72XL037	6W	72	116.42	115.92	45	(100)	14.3	25	10	0.310	

Dimensions in table are in mm



# Classic Timing Pulleys



LIGHT PITCH  
3/8" PITCH (9.525mm)

## L Pilot Bore Pulleys to suit 1/2" (12.7mm) wide belt

Pulley No.	Type	Teeth	Pcd	Od	Dm	Df	Di	F	L	d	Weight		
10L050-F	STEEL	6F	10	30.32	29.56	20	37	-	19	28	8	0.12	
11L050-F		6F	11	33.35	32.59	22	37	-	19	30	8	0.15	
12L050-F		6F	12	36.38	35.62	24	43	-	19	30	8	0.18	
13L050-F		6F	13	39.41	38.65	28	44	-	19	30	8	0.22	
14L050-F		6F	14	42.45	41.68	28	48	-	19	30	8	0.25	
15L050-F		6F	15	45.48	44.72	34	51	-	19	30	8	0.30	
16L050-F		6F	16	48.51	47.75	36	54	-	19	32	8	0.36	
17L050-F		6F	17	51.54	50.78	36	57	-	19	32	10	0.39	
18L050-F		6F	18	54.57	53.81	40	60	-	19	32	10	0.45	
19L050-F		6F	19	57.61	56.84	40	64	-	19	32	10	0.48	
20L050-F		6F	20	60.64	59.88	40	66.5	-	19	32	10	0.54	
21L050-F		6F	21	63.67	62.91	45	70	-	19	32	10	0.61	
22L050-F		6F	22	66.70	65.94	45	75	-	19	32	10	0.66	
23L050-F		6F	23	69.73	68.97	55	79	-	19	32	10	0.80	
24L050-F		6F	24	72.77	72.00	55	79	-	19	32	10	0.83	
25L050-F		6F	25	75.80	75.04	58	82.5	-	19	32	10	0.91	
26L050-F		6F	26	78.83	78.07	58	86	-	19	32	11	0.97	
27L050-F		6F	27	81.86	81.10	58	86	-	19	32	11	1.01	
28L050-F		6F	28	84.89	84.13	58	91	-	19	32	11	1.08	
30L050-F		6F	30	90.96	90.20	70	97	-	19	32	11	1.20	
32L050-F		6F	32	97.02	96.26	70	102	-	19	32	11	1.39	
36L050-F		6F	36	109.15	108.39	70	115	-	19	32	11	1.52	
40L050-F		6F	40	121.28	120.51	70	128	-	19	32	11	1.50	
42L050-F		6F	42	127.34	126.58	70	135	-	19	32	11	1.59	
48L050-F		6F	48	145.53	144.77	70	150	-	19	32	11	1.71	
60L050		CAST IRON	6A	60	181.91	181.15	75	-	160	19	42	14	2.94
72L050			6A	72	218.30	217.53	75	-	197	19	42	14	2.71
84L050			6A	84	254.68	253.92	75	-	233	19	42	14	3.80
96L050			6A	96	291.06	290.30	75	-	269	19	42	14	4.20
120L050			6A	120	363.83	363.07	75	-	342	19	42	14	5.85

## L Pilot Bore Pulleys to suit 3/4" (19.1mm) wide belt

Pulley No.	Type	Teeth	Pcd	Od	Dm	Df	Di	F	L	d	Weight		
10L075-F	STEEL	6F	10	30.32	29.56	20	37	-	25.4	38	8	0.16	
11L075-F		6F	11	33.35	32.59	22	37	-	25.4	38	8	0.20	
12L075-F		6F	12	36.38	35.62	24	43	-	25.4	38	8	0.23	
13L075-F		6F	13	39.41	38.65	28	44	-	25.4	38	8	0.28	
14L075-F		6F	14	42.45	41.68	28	48	-	25.4	38	11	0.32	
15L075-F		6F	15	45.48	44.72	34	51	-	25.4	38	11	0.39	
16L075-F		6F	16	48.51	47.75	36	54	-	25.4	38	11	0.44	
17L075-F		6F	17	51.54	50.78	36	57	-	25.4	38	11	0.49	
18L075-F		6F	18	54.57	53.81	40	60	-	25.4	38	11	0.55	
19L075-F		6F	19	57.61	56.84	40	64	-	25.4	38	11	0.60	
20L075-F		6F	20	60.64	59.88	40	66.5	-	25.4	38	11	0.66	
21L075-F		6F	21	63.67	62.91	45	70	-	25.4	38	11	0.76	
22L075-F		6F	22	66.70	65.94	45	75	-	25.4	38	11	0.82	
23L075-F		6F	23	69.73	68.97	55	79	-	25.4	38	11	0.97	
24L075-F		6F	24	72.77	72.00	55	79	-	25.4	38	11	1.02	
25L075-F		6F	25	75.80	75.04	58	82.5	-	25.4	38	11	1.11	
26L075-F		6F	26	78.83	78.07	58	86	-	25.4	38	11	1.19	
27L075-F		6F	27	81.86	81.10	58	86	-	25.4	38	11	1.25	
28L075-F		6F	28	84.89	84.13	58	91	-	25.4	38	11	1.33	
30L075-F		6F	30	90.96	90.20	70	97	-	25.4	38	11	1.41	
32L075-F		6F	32	97.02	96.26	70	102	-	25.4	38	11	1.50	
36L075-F		6F	36	109.15	108.39	70	115	-	25.4	38	11	1.92	
40L075-F		6F	40	121.28	120.51	70	128	-	25.4	38	11	1.75	
42L075-F		6F	42	127.34	126.58	70	135	-	25.4	38	11	1.84	
48L075-F		6F	48	145.53	144.77	70	150	-	25.4	38	11	2.10	
60L075		CAST IRON	6A	60	181.91	181.15	75	-	160	25.4	45	14	3.18
72L075			6A	72	218.30	217.53	75	-	197	25.4	45	14	3.21
84L075			6A	84	254.68	253.92	75	-	233	25.4	45	14	4.00
96L075			6A	96	291.06	290.30	75	-	269	25.4	45	14	4.60
120L075			6A	120	363.83	363.07	75	-	342	25.4	45	14	7.40

Phosphated finish for all steel and cast iron pulleys. Dimensions in tables are in mm



# Classic Timing Pulleys

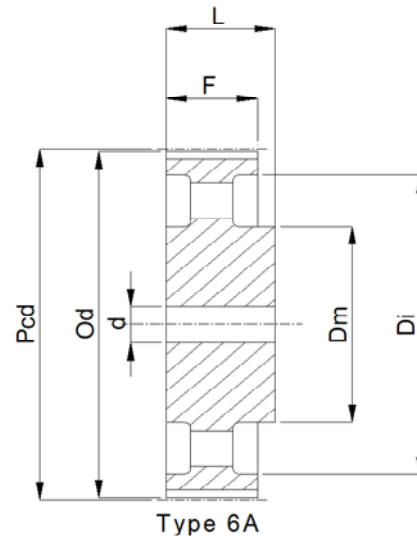
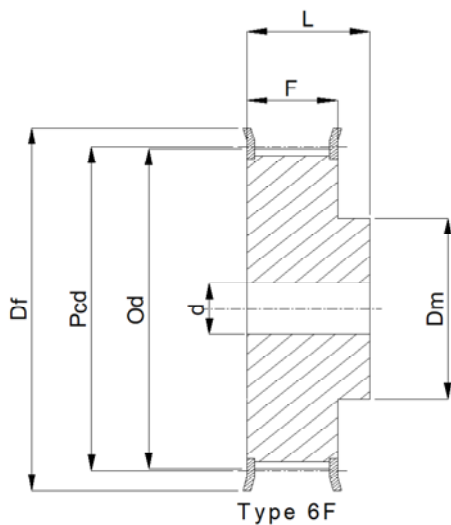


LIGHT PITCH  
3/8" PITCH (9.525mm)

## L Pilot Bore Pulleys to suit 1" (25.4mm) wide belt

Pulley No.	Type	Teeth	Pcd	Od	Dm	Df	Di	F	L	d	Weight	
10L100-F	STEEL	6F	10	30.32	29.56	20	37	-	31.8	45	8	0.19
11L100-F		6F	11	33.35	32.59	22	37	-	31.8	45	8	0.24
12L100-F		6F	12	36.38	35.62	24	43	-	31.8	45	8	0.28
13L100-F		6F	13	39.41	38.65	28	44	-	31.8	45	8	0.34
14L100-F		6F	14	42.45	41.68	28	48	-	31.8	45	11	0.38
15L100-F		6F	15	45.48	44.72	34	51	-	31.8	45	11	0.46
16L100-F		6F	16	48.51	47.75	36	54	-	31.8	45	11	0.53
17L100-F		6F	17	51.54	50.78	36	57	-	31.8	45	11	0.58
18L100-F		6F	18	54.57	53.81	40	60	-	31.8	45	11	0.66
19L100-F		6F	19	57.61	56.84	40	64	-	31.8	45	11	0.72
20L100-F		6F	20	60.64	59.88	40	66.5	-	31.8	45	11	0.80
21L100-F		6F	21	63.67	62.91	45	70	-	31.8	45	11	0.91
22L100-F		6F	22	66.70	65.94	45	75	-	31.8	45	11	0.99
23L100-F		6F	23	69.73	68.97	55	79	-	31.8	45	11	1.15
24L100-F	6F	24	72.77	72.00	55	79	-	31.8	45	11	1.22	
25L100-F	CAST IRON	6F	25	75.80	75.04	58	82.5	-	31.8	45	11	1.34
26L100-F		6F	26	78.83	78.07	58	86	-	31.8	45	11	1.44
27L100-F		6F	27	81.86	81.10	58	86	-	31.8	45	11	1.51
28L100-F		6F	28	84.89	84.13	58	91	-	31.8	45	11	1.61
30L100-F		6F	30	90.96	90.20	70	97	-	31.8	45	11	1.72
32L100-F		6F	32	97.02	96.26	70	102	-	31.8	45	11	2.10
36L100-F		6F	36	109.15	108.39	70	115	-	31.8	45	11	2.34
40L100-F		6F	40	121.28	120.51	70	128	-	31.8	45	11	2.00
42L100-F		6F	42	127.34	126.58	70	135	-	31.8	45	11	2.09
48L100-F		6F	48	145.53	144.77	70	150	-	31.8	45	11	2.50
60L100	CAST IRON	6A	60	181.91	181.15	75	-	160	31.8	45	14	3.58
72L100		6A	72	218.30	217.53	75	-	197	31.8	45	14	3.89
84L100		6A	84	254.68	253.92	75	-	233	31.8	45	14	4.73
96L100		6A	96	291.06	290.30	75	-	269	31.8	45	14	4.90
120L100		6A	120	363.83	363.07	75	-	342	31.8	45	14	8.40

Phosphated finish for all steel and cast iron pulleys. Dimensions in tables are in mm



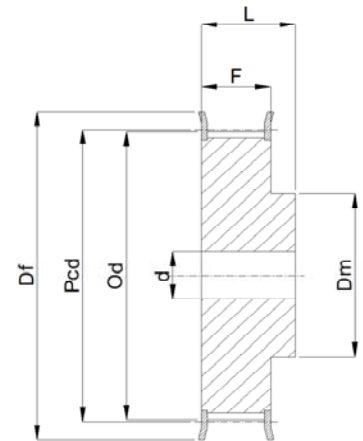
# Classic Timing Pulleys

# H

HEAVY PITCH  
1/2" PITCH (12.7mm)

## H Pilot Bore Pulleys to suit 1" (25.4mm) wide belt

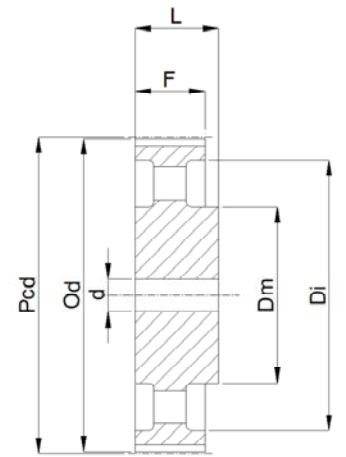
Pulley No.	Type	Teeth	Pcd	Od	Dm	Df	Di	F	L	d	Weight	
14H100-F	STEEL	6F	14	56.60	55.22	40	64	-	31.8	45	-	0.69
15H100-F		6F	15	60.64	59.27	45	66.5	-	31.8	45	-	0.81
16H100-F		6F	16	64.68	63.31	45	70	-	31.8	45	-	0.91
17H100-F		6F	17	68.72	67.35	45	75	-	31.8	45	-	1.01
18H100-F		6F	18	72.77	71.39	55	79	-	31.8	45	-	1.20
19H100-F		6F	19	76.81	75.44	60	82.5	-	31.8	45	14	1.36
20H100-F		6F	20	80.85	79.48	62	87	-	31.8	45	14	1.50
21H100-F		6F	21	84.89	83.52	66	91	-	31.8	45	14	1.65
22H100-F		6F	22	88.94	87.56	68	94	-	31.8	45	14	1.82
23H100-F		6F	23	92.98	91.61	72	97	-	31.8	45	14	1.99
24H100-F		6F	24	97.02	95.65	72	102	-	31.8	45	14	2.15
25H100-F		6F	25	101.06	99.69	72	106	-	31.8	45	14	2.05
26H100-F	6F	26	105.11	103.73	80	112	-	31.8	45	14	2.30	
27H100-F	6F	27	109.15	107.78	80	115	-	31.8	45	14	2.46	
28H100-F	6F	28	113.19	111.82	80	120	-	31.8	45	14	2.61	
30H100-F	6F	30	121.28	119.90	80	128	-	31.8	45	14	2.90	
32H100-F	6F	32	129.36	127.99	80	135	-	31.8	45	14	3.29	
34H100-F	6F	34	137.45	136.07	80	142	-	31.8	45	14	3.70	
35H100-F	6F	35	141.49	140.12	80	150	-	31.8	45	14	3.86	
36H100-F	6F	36	145.53	144.16	80	150	-	31.8	45	14	3.10	
38H100-F	6F	38	153.62	152.24	80	158	-	31.8	45	14	3.22	
40H100-F	6F	40	161.70	160.33	80	168	-	31.8	45	14	3.37	
44H100-F	6AF	44	177.87	176.50	80	184	150	31.8	50	14	4.41	
48H100-F	6AF	48	194.04	192.67	90	200	166	31.8	50	14	4.80	
60H100	6A	60	242.55	241.18	120	-	215	31.8	50	19	6.20	
72H100	6A	72	291.06	289.69	120	-	263	31.8	55	19	7.00	
84H100	6A	84	339.57	338.20	120	-	312	31.8	55	19	8.50	
96H100	CAST IRON	6A	96	388.08	386.71	120	-	360	31.8	60	19	12.50
120H100		6A	120	485.10	483.73	120	-	458	31.8	60	19	19.60



Type 6F

## H Pilot Bore Pulleys to suit 1.5" (38.1mm) wide belt

Pulley No.	Type	Teeth	Pcd	Od	Dm	Df	Di	F	L	d	Weight	
14H150-F	STEEL	6F	14	56.60	55.22	42	64	-	46	58	-	0.93
15H150-F		6F	15	60.64	59.27	45	66.5	-	46	58	-	1.08
16H150-F		6F	16	64.68	63.31	45	70	-	46	58	-	1.22
17H150-F		6F	17	68.72	67.35	45	75	-	46	58	-	1.34
18H150-F		6F	18	72.77	71.39	55	79	-	46	58	-	1.59
19H150-F		6F	19	76.81	75.44	60	82.5	-	46	58	-	1.80
20H150-F		6F	20	80.85	79.48	62	87	-	46	58	-	2.00
21H150-F		6F	21	84.89	83.52	65	91	-	46	58	-	2.20
22H150-F		6F	22	88.94	87.56	68	94	-	46	58	-	2.41
23H150-F		6F	23	92.98	91.61	72	97	-	46	58	-	2.66
24H150-F		6F	24	97.02	95.65	72	102	-	46	58	-	2.87
25H150-F		6F	25	101.06	99.69	72	106	-	46	58	-	2.70
26H150-F	6F	26	105.11	103.73	80	112	-	46	58	-	3.01	
27H150-F	6F	27	109.15	107.78	80	115	-	46	58	-	3.21	
28H150-F	6F	28	113.19	111.82	80	120	-	46	58	-	3.45	
30H150-F	6F	30	121.28	119.90	80	128	-	46	58	-	3.91	
32H150-F	6F	32	129.36	127.99	80	135	-	46	58	-	4.42	
34H150-F	6F	34	137.45	136.07	80	142	-	46	58	-	4.97	
35H150-F	6F	35	141.49	140.12	80	150	-	46	58	-	5.10	
36H150-F	6F	36	145.53	144.16	80	150	-	46	58	-	4.06	
38H150-F	6F	38	153.62	152.24	80	158	-	46	58	-	4.20	
40H150-F	6F	40	161.70	160.33	80	168	-	46	58	-	4.70	
44H150-F	6AF	44	177.87	176.50	80	184	150	46	58	19	5.06	
48H150-F	6AF	48	194.04	192.67	90	200	166	46	65	19	6.60	
60H150	6A	60	242.55	241.18	120	-	215	46	65	19	7.80	
72H150	6A	72	291.06	289.69	120	-	263	46	65	24	9.50	
84H150	6A	84	339.57	338.20	120	-	312	46	65	24	11.50	
96H150	CAST IRON	6A	96	388.08	386.71	120	-	360	46	65	24	15.00
120H150		6A	120	485.10	483.73	120	-	458	46	65	24	20.50
150H150		6A	150	606.38	605.01	120	-	579	46	65	24	28.71



Type 6A

Type 6AF as above with flanges

Phosphated finish for all steel and cast iron pulleys. Dimensions in tables are in mm

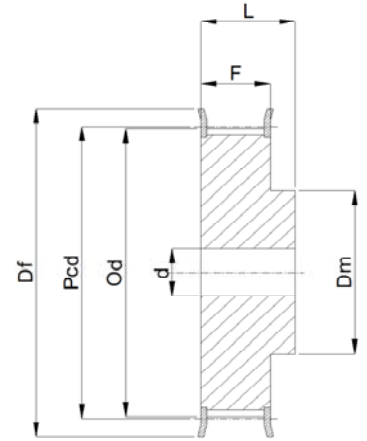
# Classic Timing Pulleys

# H

HEAVY PITCH  
1/2" PITCH (12.7mm)

## H Pilot Bore Pulleys to suit 2" (50.8mm) wide belt

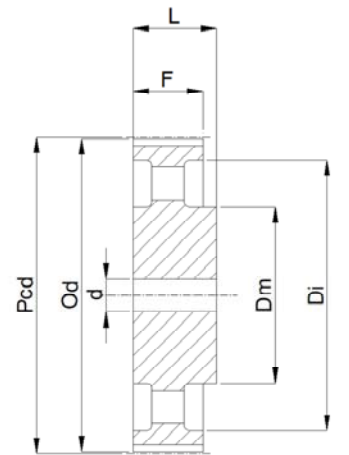
Pulley No.	Type	Teeth	Pcd	Od	Dm	Df	Di	F	L	d	Weight	
14H200-F	STEEL	6F	14	56.60	55.22	42	64	-	58.7	70	-	1.04
15H200-F		6F	15	60.64	59.27	45	66.5	-	58.7	70	-	1.33
16H200-F		6F	16	64.68	63.31	45	70	-	58.7	70	-	1.51
17H200-F		6F	17	68.72	67.35	45	75	-	58.7	70	-	1.70
18H200-F		6F	18	72.77	71.39	55	79	-	58.7	70	-	1.95
19H200-F		6F	19	76.81	75.44	60	82.5	-	58.7	70	-	2.20
20H200-F		6F	20	80.85	79.48	62	87	-	58.7	70	-	2.44
21H200-F		6F	21	84.89	83.52	65	91	-	58.7	70	-	2.70
22H200-F		6F	22	88.94	87.56	68	94	-	58.7	70	-	2.96
23H200-F		6F	23	92.98	91.61	72	97	-	58.7	70	-	3.26
24H200-F		6F	24	97.02	95.65	72	102	-	58.7	70	-	3.53
25H200-F		6F	25	101.06	99.69	72	106	-	58.7	70	-	3.37
26H200-F		6F	26	105.11	103.73	80	112	-	58.7	70	-	3.67
27H200-F		6F	27	109.15	107.78	80	115	-	58.7	70	-	4.00
28H200-F		6F	28	113.19	111.82	80	120	-	58.7	70	-	4.28
30H200-F		6F	30	121.28	119.90	80	128	-	58.7	70	-	4.84
32H200-F		6F	32	129.36	127.99	80	135	-	58.7	70	-	5.15
34H200-F		6F	34	137.45	136.07	80	142	-	58.7	70	-	6.20
35H200-F		6F	35	141.49	140.12	80	150	-	58.7	70	-	6.60
36H200-F		6F	36	145.53	144.16	80	150	-	58.7	70	-	5.10
38H200-F		6F	38	153.62	152.24	80	158	-	58.7	70	-	5.40
40H200-F		6F	40	161.70	160.33	80	168	-	58.7	70	-	5.80
44H200-F		6AF	44	177.87	176.50	80	184	150	58.7	70	19	6.50
48H200-F	6AF	48	194.04	192.67	90	200	166	58.7	75	24	7.70	
60H200	CAST IRON	6A	60	242.55	241.18	120	-	215	58.7	75	24	9.00
72H200		6A	72	291.06	289.69	120	-	263	58.7	75	28	11.60
84H200		6A	84	339.57	338.20	120	-	312	58.7	75	28	13.00
96H200		6A	96	388.08	386.71	120	-	360	58.7	75	28	18.40
120H200		6A	120	485.10	483.73	120	-	458	58.7	75	28	23.60
150H200		6A	150	606.38	605.01	120	-	579	58.7	75	28	34.56



Type 6F

## H Pilot Bore Pulleys to suit 3" (76.2mm) wide belt

Pulley No.	Type	Teeth	Pcd	Od	Dm	Df	Di	F	L	d	Weight	
14H300-F	STEEL	6F	14	56.60	55.22	42	64	-	85.7	100	-	1.63
15H300-F		6F	15	60.64	59.27	45	66.5	-	85.7	100	-	1.90
16H300-F		6F	16	64.68	63.31	45	70	-	85.7	100	-	2.16
17H300-F		6F	17	68.72	67.35	45	75	-	85.7	100	-	2.25
18H300-F		6F	18	72.77	71.39	55	79	-	85.7	100	-	2.80
19H300-F		6F	19	76.81	75.44	60	82.5	-	85.7	100	-	3.15
20H300-F		6F	20	80.85	79.48	62	87	-	85.7	100	-	3.50
21H300-F		6F	21	84.89	83.52	65	91	-	85.7	100	-	3.88
22H300-F		6F	22	88.94	87.56	68	94	-	85.7	100	-	4.26
23H300-F		6F	23	92.98	91.61	72	97	-	85.7	100	-	4.71
24H300-F		6F	24	97.02	95.65	72	102	-	85.7	100	-	5.10
25H300-F		6F	25	101.06	99.69	72	106	-	85.7	100	-	4.83
26H300-F		6F	26	105.11	103.73	80	112	-	85.7	100	-	5.20
27H300-F		6F	27	109.15	107.78	80	115	-	85.7	100	-	5.80
28H300-F		6F	28	113.19	111.82	80	120	-	85.7	100	-	8.20
30H300-F		6F	30	121.28	119.90	80	128	-	85.7	100	-	7.00
32H300-F		6F	32	129.36	127.99	80	135	-	85.7	100	-	8.00
34H300-F		6F	34	137.45	136.07	80	142	-	85.7	100	-	9.00
35H300-F		6F	35	141.49	140.12	80	150	-	85.7	100	-	9.70
36H300-F		6F	36	145.53	144.16	80	150	-	85.7	100	-	7.30
38H300-F		6F	38	153.62	152.24	80	158	-	85.7	100	-	8.00
40H300-F		6F	40	161.70	160.33	80	168	-	85.7	100	-	8.00
44H300		CAST IRON	6A	44	177.87	176.50	80	-	150	85.7	100	-
48H300	6A		48	194.04	192.67	90	-	166	85.7	100	-	10.40
60H300	6A		60	242.55	241.18	120	-	215	85.7	100	24	12.00
72H300	6A		72	291.06	289.69	120	-	263	85.7	100	24	14.20
84H300	6A		84	339.57	338.20	120	-	312	85.7	100	24	18.30
96H300	6A		96	388.08	386.71	120	-	360	85.7	100	24	24.00
120H300	6A		120	485.10	483.73	120	-	458	85.7	100	24	34.50
150H300	6A		150	606.38	605.01	120	-	579	85.7	100	24	40.95



Type 6A

Type 6AF as above with flanges

Phosphated finish for all steel and cast iron pulleys. Dimensions in tables are in mm

# Classic Timing Pulleys

**XH** EXTRA HEAVY  
7/8" PITCH (22.225mm)

## XH Pilot Bore Pulleys to suit 2" (50.8mm) wide belt

Pulley No.	Type	Teeth	Pcd	Od	Dm	Df	Di	F	L	d	Weight	
18XH200-F	STEEL	6F	18	127.34	124.55	100	138	-	63.2	80	24	5.8
19XH200-F		6F	19	134.41	131.62	100	146	-	63.2	80	24	6.7
20XH200-F		6F	20	141.49	138.69	100	154	-	63.2	80	24	7.1
21XH200-F		6F	21	148.56	145.77	110	160	-	63.2	80	24	8.0
22XH200-F		6F	22	155.64	152.84	110	168	-	63.2	80	24	8.8
24XH200-F		6F	24	169.79	166.99	120	183	-	63.2	80	24	10.4
25XH200-F	6F	25	176.86	174.07	120	188	-	63.2	80	24	11.3	
26XH200-F	6F	26	183.94	181.14	120	198	-	63.2	80	24	12.2	
27XH200-F	6F	27	191.01	188.22	120	200	-	63.2	80	24	13.0	
28XH200-F	6F	28	198.08	195.29	150	211	-	63.2	80	24	15.0	
30XH200-F	CAST IRON	6F	30	212.23	209.44	150	226	-	63.2	80	24	16.8
32XH200-F		6WF	32	226.38	223.59	150	240	194	63.2	80	24	14.5
34XH200-F		6WF	34	240.53	237.74	150	256	198	63.2	80	24	21.0
<del>38XH200</del>	CAST IRON	6W	38	268.83	266.03	150	286	227	63.2	100	28	28.0
40XH200		6W	40	282.98	280.18	150	296	241	63.2	100	28	22.5
46XH200		6W	46	325.42	322.63	150	-	283	63.2	100	28	26.5
48XH200		6W	48	339.57	336.78	150	-	297	63.2	100	28	26.8
58XH200		6W	58	410.32	407.52	150	-	368	63.2	100	28	37.4
60XH200		6W	60	424.47	421.67	150	-	382	63.2	100	28	31.5
70XH200	6A	70	495.21	492.42	190	-	453	63.2	100	28	41.1	
72XH200	6A	72	509.36	506.56	190	-	467	63.2	100	28	43.0	
78XH200	6A	78	551.81	549.01	190	-	510	63.2	100	28	50.1	
80XH200	6A	80	565.95	563.16	190	-	524	63.2	100	28	55.0	
82XH200	CAST IRON	6A	82	580.10	577.31	190	-	538	63.2	100	28	54.9
84XH200		6A	84	594.25	591.46	190	-	552	63.2	100	28	54.6
94XH200		6A	94	665.00	662.20	190	-	623	63.2	100	28	68.5
96XH200		6A	96	679.15	676.35	190	-	637	63.2	100	28	61.0
118XH200		6A	118	834.78	831.99	190	-	792	63.2	100	28	101.1
120XH200		6A	120	848.93	846.14	190	-	806	63.2	100	28	105.2

## XH Pilot Bore Pulleys to suit 3" (76.2mm) wide belt

Pulley No.	Type	Teeth	Pcd	Od	Dm	Df	Di	F	L	d	Weight	
18XH300-F	STEEL	6F	18	127.34	124.55	100	138	-	90.4	110	24	8.0
19XH300-F		6F	19	134.41	131.62	100	146	-	90.4	110	24	8.8
20XH300-F		6F	20	141.49	138.69	100	154	-	90.4	110	24	9.6
21XH300-F		6F	21	148.56	145.77	110	160	-	90.4	110	24	11.0
22XH300-F		6F	22	155.64	152.84	110	168	-	90.4	110	24	12.0
24XH300-F		6F	24	169.79	166.99	120	183	-	90.4	110	24	14.4
25XH300-F	6F	25	176.86	174.07	120	188	-	90.4	110	24	15.6	
26XH300-F	6F	26	183.94	181.14	120	198	-	90.4	110	24	16.2	
27XH300-F	6F	27	191.01	188.22	120	200	-	90.4	110	24	18.2	
28XH300-F	6F	28	198.08	195.29	150	211	-	90.4	110	24	20.4	
30XH300-F	CAST IRON	6F	30	212.23	209.44	150	226	-	90.4	110	24	23.0
32XH300-F		6F	32	226.38	223.59	150	240	-	90.4	110	24	26.5
34XH300-F		6WF	34	240.53	237.74	150	256	198	90.4	110	24	29.0
<del>38XH300</del>	CAST IRON	6W	38	268.83	266.03	150	286	227	90.4	120	28	37.5
40XH300		6W	40	282.98	280.18	150	296	241	90.4	120	28	29.0
46XH300		6W	46	325.42	322.63	150	-	283	92.1	120	28	32.0
48XH300		6W	48	339.57	336.78	150	-	297	92.1	120	28	32.8
58XH300		6W	58	410.32	407.52	150	-	368	92.1	120	28	45.0
60XH300		6W	60	424.47	421.67	150	-	382	92.1	120	28	39.0
70XH300	6A	70	495.21	492.42	190	-	453	92.1	120	28	46.2	
72XH300	6A	72	509.36	506.56	190	-	467	92.1	120	28	54.0	
78XH300	6A	78	551.81	549.01	190	-	510	92.1	120	28	63.2	
80XH300	6A	80	565.95	563.16	190	-	524	92.1	120	28	63.0	
82XH300	CAST IRON	6A	82	580.10	577.31	190	-	538	92.1	120	28	67.1
84XH300		6A	84	594.25	591.46	190	-	552	92.1	120	28	69.2
94XH300		6A	94	665.00	662.20	190	-	623	92.1	120	28	82.7
96XH300		6A	96	679.15	676.35	190	-	637	92.1	120	28	80.4
118XH300		6A	118	834.78	831.99	190	-	792	92.1	120	28	120.5
120XH300		6A	120	848.93	846.14	190	-	806	92.1	120	28	125.3

Dimensions in tables are in mm

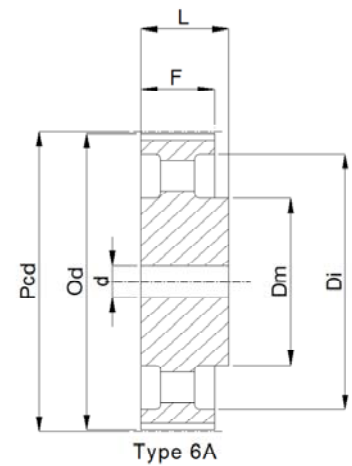
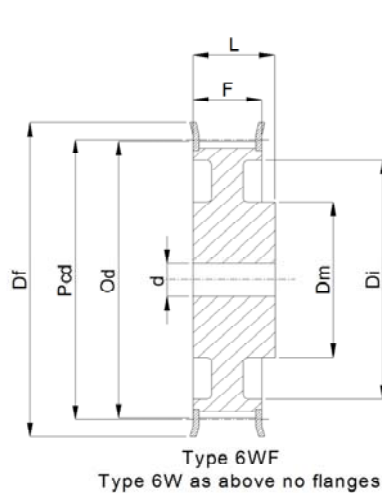
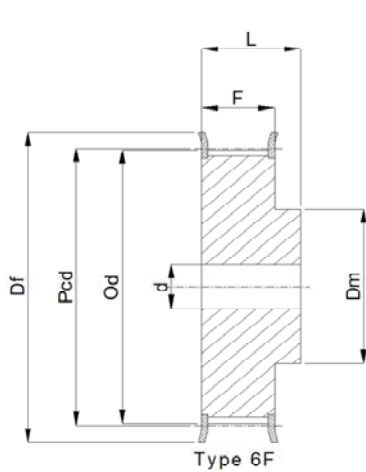
# Classic Timing Pulleys

**XH** EXTRA HEAVY  
7/8" PITCH (22.225mm)

## XH Pilot Bore Pulleys to suit 4" (101.6mm) wide belt

Pulley No.	Type	Teeth	Pcd	Od	Dm	Df	Di	F	L	d	Weight	
18XH400-F	STEEL	6F	18	127.34	124.55	100	138	-	117.3	132	32	9.5
19XH400-F		6F	19	134.41	131.62	100	146	-	117.3	132	32	10.6
20XH400-F		6F	20	141.49	138.69	100	154	-	117.3	132	32	11.9
21XH400-F		6F	21	148.56	145.77	110	160	-	117.3	132	32	13.4
22XH400-F		6F	22	155.64	152.84	110	168	-	117.3	132	32	14.6
24XH400-F		6F	24	169.79	166.99	120	183	-	117.3	132	32	17.5
25XH400-F		6F	25	176.86	174.07	120	188	-	117.3	132	32	19.0
26XH400-F		6F	26	183.94	181.14	120	198	-	117.3	132	32	20.8
27XH400-F		6F	27	191.01	188.22	120	200	-	117.3	132	32	22.5
28XH400-F		6F	28	198.08	195.29	150	211	-	117.3	132	32	25.0
30XH400-F	CAST IRON	6F	30	212.23	209.44	150	226	-	117.3	132	32	28.4
32XH400-F		6F	32	226.38	223.59	150	240	-	117.3	132	32	32.5
34XH400-F		6F	34	240.53	237.74	150	256	-	117.3	132	32	37.0
38XH400	CAST IRON	6W	38	268.83	266.03	150	286	227	117.3	132	32	40.0
40XH400		6W	40	282.98	280.18	150	296	241	117.3	132	32	34.5
46XH400		6W	46	325.42	322.63	150	-	283	119.1	132	32	40.5
48XH400		6W	48	339.57	336.78	150	-	297	119.1	132	32	39.0
58XH400		6W	58	410.32	407.52	150	-	368	119.1	132	32	51.5
60XH400		6W	60	424.47	421.67	150	-	382	119.1	132	32	50.0
70XH400		6A	70	495.21	492.42	190	-	453	119.1	132	32	63.2
72XH400		6A	72	509.36	506.56	190	-	467	119.1	132	32	62.0
78XH400		6A	78	551.81	549.01	190	-	510	119.1	132	32	73.2
80XH400		6A	80	565.95	563.16	190	-	524	119.1	132	32	85.0
82XH400	CAST IRON	6A	82	580.10	577.31	190	-	538	119.1	132	32	77.6
84XH400		6A	84	594.25	591.46	190	-	552	119.1	132	32	66.5
94XH400		6A	94	665.00	662.20	190	-	623	119.1	132	32	95.3
96XH400		6A	96	679.15	676.35	190	-	637	119.1	132	32	94.0
118XH400		6A	118	834.78	831.99	190	-	792	119.1	132	32	138.4
120XH400		6A	120	848.93	846.14	190	-	806	119.1	132	32	143.9

Dimensions in tables are in mm



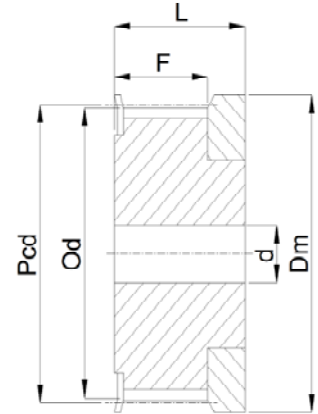
# HTD Timing Pulleys

# 3M (3mm PITCH)

## 3M Pilot Bore Pulleys

to suit 6mm wide belt

Pulley No.	Type	Teeth	Pcd	Od	Dm	Df	F	L	d	Weight
10-3M-06-F	1F	10	9.55	8.79	13.0	13.0	7.2	14.5	—	0.003
12-3M-06-F	1F	12	11.46	10.70	15.0	15.0	7.2	14.5	—	0.005
14-3M-06-F	1F	14	13.37	12.61	16.0	16.0	7.2	14.5	—	0.006
15-3M-06-F	1F	15	14.32	13.56	17.5	17.5	7.2	14.5	—	0.007
16-3M-06-F	6F	16	15.28	14.52	10.0	17.5	9.8	17.5	4	0.004
18-3M-06-F	6F	18	17.19	16.43	11.0	20.0	9.8	17.5	6	0.007
20-3M-06-F	6F	20	19.10	18.34	13.0	23.0	9.8	17.5	6	0.010
21-3M-06-F	6F	21	20.05	19.29	13.0	25.0	9.8	17.5	6	0.012
22-3M-06-F	6F	22	21.01	20.25	13.0	25.0	9.8	17.5	6	0.012
24-3M-06-F	6F	24	22.92	22.16	13.0	25.0	9.8	17.5	6	0.014
26-3M-06-F	6F	26	24.83	24.07	16.0	28.0	9.8	17.5	6	0.017
28-3M-06-F	6F	28	26.74	25.98	18.0	32.0	9.8	17.5	6	0.022
30-3M-06-F	6F	30	28.65	27.89	20.0	32.0	9.8	17.5	6	0.026
32-3M-06-F	6F	32	30.56	29.80	22.0	36.0	9.8	17.5	6	0.030
36-3M-06-F	6F	36	34.38	33.62	26.0	39.0	10.3	18.6	6	0.048
40-3M-06-F	6F	40	38.20	37.44	28.0	42.0	10.3	18.6	6	0.050
44-3M-06-F	6F	44	42.02	41.26	33.0	48.0	10.3	18.6	6	0.060
48-3M-06	6	48	45.84	45.08	33.0	—	10.3	18.6	8	0.100
60-3M-06	6	60	57.30	56.54	33.0	—	10.3	18.6	8	0.102
72-3M-06	6	72	68.75	67.99	33.0	—	10.3	18.6	8	0.130

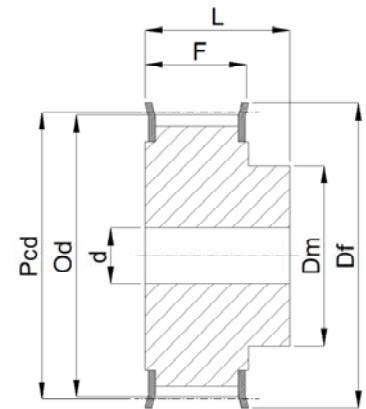


Type 1F

## 3M Pilot Bore Pulleys

to suit 9mm wide belt

Pulley No.	Type	Teeth	Pcd	Od	Dm	Df	F	L	d	Weight
10-3M-09-F	1F	10	9.55	8.79	13.0	13.0	10.2	17.5	—	0.004
12-3M-09-F	1F	12	11.46	10.70	15.0	15.0	10.2	17.5	—	0.006
14-3M-09-F	1F	14	13.37	12.61	16.0	16.0	10.2	17.5	—	0.007
15-3M-09-F	1F	15	14.32	13.56	17.5	17.5	10.2	17.5	—	0.008
16-3M-09-F	6F	16	15.28	14.52	10.0	17.5	12.8	20.6	4	0.005
18-3M-09-F	6F	18	17.19	16.43	11.0	20.0	12.8	20.6	6	0.008
20-3M-09-F	6F	20	19.10	18.34	13.0	23.0	12.8	20.6	6	0.011
21-3M-09-F	6F	21	20.05	19.29	13.0	25.0	12.8	20.6	6	0.013
22-3M-09-F	6F	22	21.01	20.25	13.0	25.0	12.8	20.6	6	0.013
24-3M-09-F	6F	24	22.92	22.16	13.0	25.0	12.8	20.6	6	0.015
26-3M-09-F	6F	26	24.83	24.07	16.0	28.0	12.8	20.6	6	0.018
28-3M-09-F	6F	28	26.74	25.98	18.0	32.0	12.8	20.6	6	0.024
30-3M-09-F	6F	30	28.65	27.89	20.0	32.0	12.8	20.6	6	0.028
32-3M-09-F	6F	32	30.56	29.80	22.0	36.0	12.8	20.6	6	0.032
36-3M-09-F	6F	36	34.38	33.62	26.0	39.0	13.4	22.2	6	0.050
40-3M-09-F	6F	40	38.20	37.44	28.0	42.0	13.4	22.2	6	0.060
44-3M-09-F	6F	44	42.02	41.26	33.0	48.0	13.4	22.2	6	0.070
48-3M-09	6	48	45.84	45.08	33.0	—	13.4	22.2	8	0.107
60-3M-09	6	60	57.30	56.54	33.0	—	13.4	22.2	8	0.110
72-3M-09	6	72	68.75	67.99	33.0	—	13.4	22.2	8	0.150

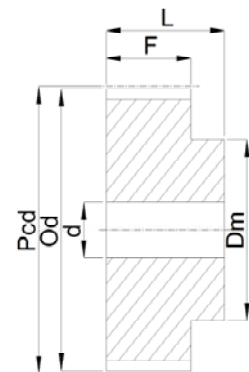


Type 6F

## 3M Pilot Bore Pulleys

to suit 15mm wide belt

Pulley No.	Type	Teeth	Pcd	Od	Dm	Df	F	L	d	Weight
10-3M-15-F	1F	10	9.55	8.79	13.0	13.0	17.0	26	—	0.006
12-3M-15-F	1F	12	11.46	10.70	15.0	15.0	17.0	26	—	0.008
14-3M-15-F	1F	14	13.37	12.61	16.0	16.0	17.0	26	—	0.010
15-3M-15-F	1F	15	14.32	13.56	17.5	17.5	17.0	26	—	0.012
16-3M-15-F	6F	16	15.28	14.52	10.0	17.5	19.5	26	4	0.009
18-3M-15-F	6F	18	17.19	16.43	11.0	20.0	19.5	26	6	0.010
20-3M-15-F	6F	20	19.10	18.34	13.0	23.0	19.5	26	6	0.014
21-3M-15-F	6F	21	20.05	19.29	13.0	25.0	19.5	26	6	0.020
22-3M-15-F	6F	22	21.01	20.25	13.0	25.0	19.5	26	6	0.020
24-3M-15-F	6F	24	22.92	22.16	13.0	25.0	19.5	26	6	0.030
26-3M-15-F	6F	26	24.83	24.07	16.0	28.0	19.5	26	6	0.030
28-3M-15-F	6F	28	26.74	25.98	18.0	32.0	19.5	26	6	0.030
30-3M-15-F	6F	30	28.65	27.89	20.0	32.0	19.5	26	6	0.040
32-3M-15-F	6F	32	30.56	29.80	22.0	36.0	19.5	26	6	0.042
36-3M-15-F	6F	36	34.38	33.62	26.0	39.0	20.0	30	6	0.060
40-3M-15-F	6F	40	38.20	37.44	28.0	42.0	20.0	30	6	0.080
44-3M-15-F	6F	44	42.02	41.26	33.0	48.0	20.0	30	6	0.100
48-3M-15	6	48	45.84	45.08	33.0	—	20.0	30	8	0.100
60-3M-15	6	60	57.30	56.54	33.0	—	20.0	30	8	0.150
72-3M-15	6	72	68.75	67.99	33.0	—	20.0	30	8	0.210



Type 6

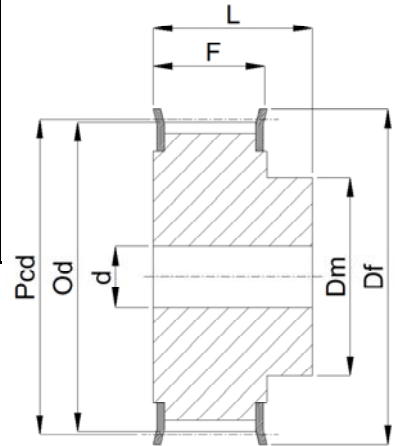
Dimensions in tables are in mm

# HTD Timing Pulleys

# 5M (5mm PITCH)

## 5M Pilot Bore Pulleys to suit 9mm wide belt

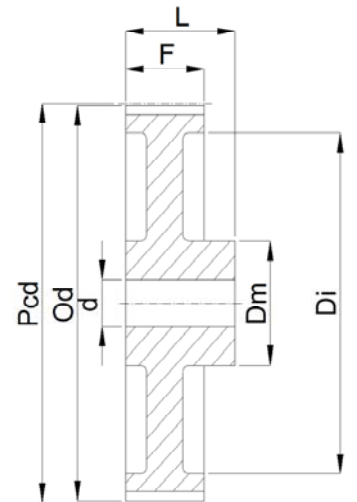
Pulley No.	Type	Teeth	Pcd	Od	Dm	Di	Df	F	L	d	Weight	
12-5M-09-F	STEEL	6F	12	19.10	17.96	12.0	—	23	14.5	20.0	4	0.028
14-5M-09-F		6F	14	22.28	21.14	13.0	—	25	14.5	20.0	6	0.040
15-5M-09-F		6F	15	23.87	22.73	16.0	—	28	14.5	20.0	6	0.050
16-5M-09-F		6F	16	25.46	24.32	16.5	—	28	14.5	20.0	6	0.050
18-5M-09-F		6F	18	28.65	27.51	20.0	—	32	14.5	20.0	6	0.070
20-5M-09-F		6F	20	31.83	30.69	23.0	—	36	14.5	22.5	6	0.100
21-5M-09-F		6F	21	33.42	32.28	24.0	—	38	14.5	22.5	6	0.110
22-5M-09-F		6F	22	35.01	33.87	25.5	—	39	14.5	22.5	6	0.120
24-5M-09-F		6F	24	38.20	37.06	27.0	—	42	14.5	22.5	6	0.140
26-5M-09-F		6F	26	41.38	40.24	30.0	—	44	14.5	22.5	6	0.170
28-5M-09-F	ALUMINIUM	6F	28	44.56	43.42	30.5	—	48	14.5	22.5	6	0.200
30-5M-09-F		6F	30	47.75	46.60	35.0	—	51	14.5	22.5	6	0.240
32-5M-09-F		6F	32	50.93	49.79	38.0	—	54	14.5	22.5	8	0.270
36-5M-09-F		6F	36	57.30	56.16	38.0	—	60	14.5	22.5	8	0.330
40-5M-09-F		6F	40	63.66	62.52	38.0	—	71	14.5	22.5	8	0.400
44-5M-09		6W	44	70.03	68.89	38.0	54	—	14.5	25.5	8	0.170
48-5M-09		6W	48	76.39	75.25	38.0	61	—	14.5	25.5	8	0.182
60-5M-09		6W	60	95.49	94.35	45.0	80	—	14.5	25.5	8	0.220
72-5M-09		6W	72	114.59	113.45	45.0	100	—	14.5	25.5	8	0.260



Type 6F

## 5M Pilot Bore Pulleys to suit 15mm wide belt

Pulley No.	Type	Teeth	Pcd	Od	Dm	Di	Df	F	L	d	Weight	
12-5M-15-F	STEEL	6F	12	19.10	17.96	12.0	—	23	20.5	26	—	0.04
14-5M-15-F		6F	14	22.28	21.14	13.0	—	25	20.5	26	6	0.05
15-5M-15-F		6F	15	23.87	22.73	16.0	—	28	20.5	26	6	0.06
16-5M-15-F		6F	16	25.46	24.32	16.5	—	28	20.5	26	6	0.07
18-5M-15-F		6F	18	28.65	27.51	20.0	—	32	20.5	26	6	0.09
20-5M-15-F		6F	20	31.83	30.69	23.0	—	36	20.5	26	6	0.12
21-5M-15-F		6F	21	33.42	32.28	24.0	—	38	20.5	26	6	0.13
22-5M-15-F		6F	22	35.01	33.87	25.5	—	39	20.5	26	6	0.14
24-5M-15-F		6F	24	38.20	37.06	27.0	—	42	20.5	28	6	0.18
26-5M-15-F		6F	26	41.38	40.24	30.0	—	44	20.5	28	6	0.22
28-5M-15-F	ALUMINIUM	6F	28	44.56	43.42	30.5	—	48	20.5	28	6	0.25
30-5M-15-F		6F	30	47.75	46.60	35.0	—	51	20.5	28	6	0.30
32-5M-15-F		6F	32	50.93	49.79	38.0	—	54	20.5	28	8	0.35
36-5M-15-F		6F	36	57.30	56.16	38.0	—	60	20.5	28	8	0.43
40-5M-15-F		6F	40	63.66	62.52	38.0	—	71	20.5	28	8	0.52
44-5M-15		6W	44	70.03	68.89	38.0	54	—	20.5	30	8	0.23
48-5M-15		6W	48	76.39	75.25	38.0	61	—	20.5	30	8	0.19
60-5M-15		6W	60	95.49	94.35	45.0	80	—	20.5	30	8	0.30
72-5M-15		6W	72	114.59	113.45	45.0	100	—	20.5	30	8	0.38



Type 6W

## 5M Pilot Bore Pulleys to suit 25mm wide belt

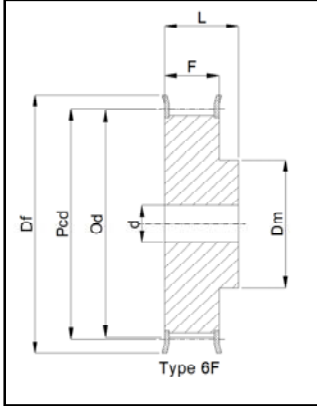
Pulley No.	Type	Teeth	Pcd	Od	Dm	Di	Df	F	L	d	Weight	
12-5M-25-F	STEEL	6F	12	19.10	17.96	12.0	—	23	30.5	36	—	0.05
14-5M-25-F		6F	14	22.28	21.14	13.0	—	25	30.5	36	6	0.07
15-5M-25-F		6F	15	23.87	22.73	16.0	—	28	30.5	36	6	0.08
16-5M-25-F		6F	16	25.46	24.32	16.5	—	28	30.5	36	6	0.10
18-5M-25-F		6F	18	28.65	27.51	20.0	—	32	30.5	36	6	0.12
20-5M-25-F		6F	20	31.83	30.69	23.0	—	36	30.5	36	6	0.16
21-5M-25-F		6F	21	33.42	32.28	24.0	—	38	30.5	38	6	0.19
22-5M-25-F		6F	22	35.01	33.87	25.5	—	39	30.5	38	6	0.21
24-5M-25-F		6F	24	38.20	37.06	27.0	—	42	30.5	38	6	0.25
26-5M-25-F		6F	26	41.38	40.24	30.0	—	44	30.5	38	6	0.30
28-5M-25-F	ALUMINIUM	6F	28	44.56	43.42	30.5	—	48	30.5	38	6	0.35
30-5M-25-F		6F	30	47.75	46.60	35.0	—	51	30.5	38	6	0.42
32-5M-25-F		6F	32	50.93	49.79	38.0	—	54	30.5	38	8	0.48
36-5M-25-F		6F	36	57.30	56.16	38.0	—	60	30.5	38	8	0.59
40-5M-25-F		6F	40	63.66	62.52	38.0	—	71	30.5	38	8	0.74
44-5M-25		6	44	70.03	68.89	38.0	—	—	30.5	40	8	0.32
48-5M-25		6W	48	76.39	75.25	38.0	61	—	30.5	40	8	0.28
60-5M-25		6W	60	95.49	94.35	45.0	80	—	30.5	40	8	0.44
72-5M-25		6W	72	114.59	113.45	45.0	100	—	30.5	40	8	0.53

Phosphated finish for all steel and cast iron pulleys. Dimensions in tables are in mm

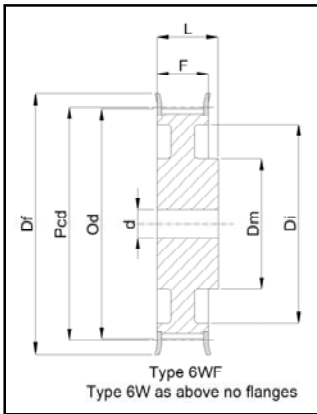
# HTD Timing Pulleys

# 8M (8mm PITCH)

## HTD 8M 20 Pilot Bore Pulleys to suit 20mm wide belt

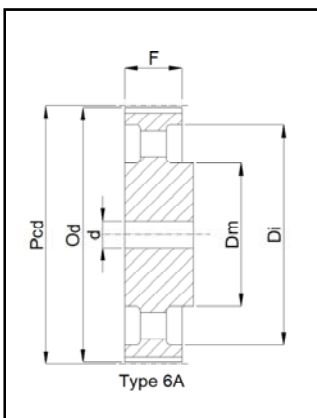


Pulley No.	Type	Teeth	Pcd	Od	Dm	Di	Df	F	L	d	Weight	
20 8M 20	STEEL	6F	20	50.92	49.55	40	—	57	28	38	12	0.50
22 8M 20		6F	22	56.02	54.65	43	—	60	28	38	12	0.54
24 8M 20		6F	24	61.12	59.75	45	—	66	28	38	12	0.65
26 8M 20		6F	26	66.21	64.84	48	—	70	28	38	12	0.80
28 8M 20		6F	28	71.30	70.08	50	—	75	28	38	15	0.87
30 8M 20		6F	30	76.39	75.13	55	—	82.5	28	38	15	1.02
32 8M 20		6F	32	81.49	80.16	60	—	87	28	38	15	1.20
34 8M 20		6F	34	86.58	85.22	66	—	91	28	38	15	1.40
36 8M 20		6F	36	91.67	90.30	70	—	97	28	38	15	1.55
38 8M 20		6F	38	96.77	95.39	75	—	102	28	38	15	1.75
40 8M 20	CAST IRON	6F	40	101.86	100.49	75	—	106	28	38	15	1.76
44 8M 20		6F	44	112.05	110.67	75	—	120	28	38	15	2.10
48 8M 20		6F	48	122.23	120.86	75	—	128	28	38	15	2.44
56 8M 20		6WF	56	142.60	141.23	80	116	150	28	38	15	2.55
64 8M 20		6WF	64	162.97	161.60	80	137	168	28	38	15	2.93
72 8M 20		6WF	72	183.35	181.97	80	158	192	28	38	15	3.54
80 8M 20		6W	80	203.72	202.35	90	180	—	28	38	15	3.80
90 8M 20		6W	90	229.18	227.81	90	204	—	28	38	15	4.20
112 8M 20		6A	112	285.21	283.83	90	254	—	28	38	18	5.20
144 8M 20		6A	144	366.69	365.32	90	336	—	28	38	20	7.50
168 8M 20	6A	168	427.81	426.44	100	400	—	28	38	20	10.00	
192 8M 20	6A	192	488.92	487.55	100	460	—	28	38	20	14.40	



## HTD 8M 30 Pilot Bore Pulleys to suit 30mm wide belt

Pulley No.	Type	Teeth	Pcd	Od	Dm	Di	Df	F	L	d	Weight	
20 8M 30	STEEL	6F	20	50.92	49.55	40	—	57	38	48	12	0.65
22 8M 30		6F	22	56.02	54.65	43	—	60	38	48	12	0.69
24 8M 30		6F	24	61.12	59.75	45	—	66	38	48	12	0.84
26 8M 30		6F	26	66.21	64.84	48	—	70	38	48	12	1.00
28 8M 30		6F	28	71.30	70.08	50	—	75	38	48	15	1.12
30 8M 30		6F	30	76.39	75.13	55	—	82.5	38	48	15	1.32
32 8M 30		6F	32	81.49	80.16	60	—	87	38	48	15	1.53
34 8M 30		6F	34	86.58	85.22	66	—	91	38	48	15	1.80
36 8M 30		6F	36	91.67	90.30	70	—	97	38	48	15	1.99
38 8M 30		6F	38	96.77	95.39	75	—	102	38	48	15	2.27
40 8M 30	CAST IRON	6F	40	101.86	100.49	75	—	106	38	48	15	2.40
44 8M 30		6F	44	112.05	110.67	75	—	120	38	48	15	2.70
48 8M 30		6F	48	122.23	120.86	75	—	128	38	48	15	3.20
56 8M 30		6WF	56	142.60	141.23	80	116	150	38	48	15	3.70
64 8M 30		6WF	64	162.97	161.60	80	137	168	38	48	15	4.10
72 8M 30		6WF	72	183.35	181.97	80	158	192	38	48	15	4.80
80 8M 30		6W	80	203.72	202.35	90	180	—	38	48	15	5.10
90 8M 30		6W	90	229.18	227.81	90	204	—	38	48	15	5.70
112 8M 30		6A	112	285.21	283.83	90	254	—	38	48	18	6.80
144 8M 30		6A	144	366.69	365.32	90	336	—	38	48	20	9.30
168 8M 30	6A	168	427.81	426.44	100	400	—	38	48	20	11.40	
192 8M 30	6A	192	488.92	487.55	100	460	—	38	48	20	16.00	



Phosphated finish for all steel and cast iron pulleys. Dimensions in tables are in mm

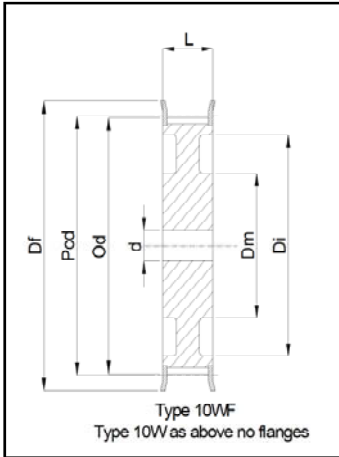


# HTD Timing Pulleys

# 8M (8mm PITCH)

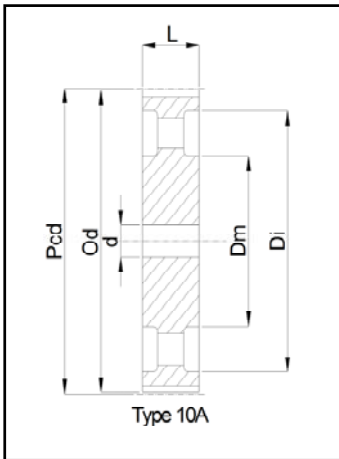
## HTD 8M 50 Pilot Bore Pulleys to suit 50mm wide belt

Pulley No.	Type	Teeth	Pcd	Od	Dm	Di	Df	F	L	d	Weight	
20 8M 50	STEEL	6F	20	50.92	49.55	40	—	57	60	70	—	1.00
22 8M 50		6F	22	56.02	54.65	43	—	60	60	70	—	1.08
24 8M 50		6F	24	61.12	59.75	45	—	66	60	70	—	1.30
26 8M 50		6F	26	66.21	64.84	48	—	70	60	70	—	1.52
28 8M 50		6F	28	71.30	70.08	50	—	75	60	70	—	1.80
30 8M 50		6F	30	76.39	75.13	55	—	82.5	60	70	—	2.07
32 8M 50		6F	32	81.49	80.16	60	—	87	60	70	—	2.40
34 8M 50		6F	34	86.58	85.22	66	—	91	60	70	—	2.75
36 8M 50		6F	36	91.67	90.30	70	—	97	60	70	—	3.07
38 8M 50		6F	38	96.77	95.39	75	—	102	60	70	—	3.45
40 8M 50		6F	40	101.86	100.49	75	—	106	60	70	—	3.85
44 8M 50		6F	44	112.05	110.67	75	—	120	60	70	—	4.60
48 8M 50		6F	48	122.23	120.86	80	—	128	60	70	—	5.50
56 8M 50		10WF	56	142.60	141.23	90	116	150	60	60	18	5.60
64 8M 50	10WF	64	162.97	161.60	100	137	168	60	60	18	6.00	
72 8M 50	10WF	72	183.35	181.97	100	158	192	60	60	18	6.80	
80 8M 50	10W	80	203.72	202.35	110	180	—	60	60	18	6.90	
90 8M 50	CAST IRON	10W	90	229.18	227.81	110	204	—	60	60	18	8.60
112 8M 50		10A	112	285.21	283.83	110	254	—	60	60	18	9.60
144 8M 50		10A	144	366.69	365.32	110	336	—	60	60	20	13.80
168 8M 50		10A	168	427.81	426.44	120	400	—	60	60	20	16.00
192 8M 50		10A	192	488.92	487.55	130	460	—	60	60	20	22.80



## HTD 8M 85 Pilot Bore Pulleys to suit 85mm wide belt

Pulley No.	Type	Teeth	Pcd	Od	Dm	Di	Df	F	L	d	Weight	
20 8M 85	STEEL	6F	20	50.92	49.55	40	—	57	95	105	—	1.55
22 8M 85		6F	22	56.02	54.65	43	—	60	95	105	—	1.90
24 8M 85		6F	24	61.12	59.75	45	—	66	95	105	—	2.25
26 8M 85		6F	26	66.21	64.84	48	—	70	95	105	—	2.55
28 8M 85		6F	28	71.30	70.08	50	—	75	95	105	—	2.55
30 8M 85		6F	30	76.39	75.13	55	—	82.5	95	105	—	3.00
32 8M 85		6F	32	81.49	80.16	60	—	87	95	105	—	3.57
34 8M 85		6F	34	86.58	85.22	66	—	91	95	105	—	4.00
36 8M 85		6F	36	91.67	90.30	70	—	97	95	105	—	4.50
38 8M 85		6F	38	96.77	95.39	75	—	102	95	105	—	5.08
40 8M 85		6F	40	101.86	100.49	75	—	106	95	105	—	5.12
44 8M 85		6F	44	112.05	110.67	75	—	120	95	105	—	6.60
48 8M 85		6F	48	122.23	120.86	80	—	128	95	105	—	7.40
56 8M 85		6F	56	142.60	141.23	90	116	150	95	105	20	10.15
64 8M 85	10WF	64	162.97	161.60	100	137	168	95	95	20	10.30	
72 8M 85	10WF	72	183.35	181.97	100	158	192	95	95	20	11.40	
80 8M 85	10A	80	203.72	202.35	110	180	—	95	95	20	11.10	
90 8M 85	CAST IRON	10A	90	229.18	227.81	110	204	—	95	95	20	12.80
112 8M 85		10A	112	285.21	283.83	110	254	—	95	95	24	15.00
144 8M 85		10A	144	366.69	365.32	110	336	—	95	95	24	20.80
168 8M 85		10A	168	427.81	426.44	120	400	—	95	95	24	24.00
192 8M 85		10A	192	488.92	487.55	130	460	—	95	95	24	30.60

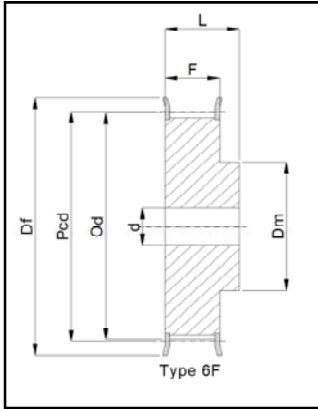


Phosphated finish for all steel and cast iron pulleys. Dimensions in tables are in mm

# HTD Timing Pulleys

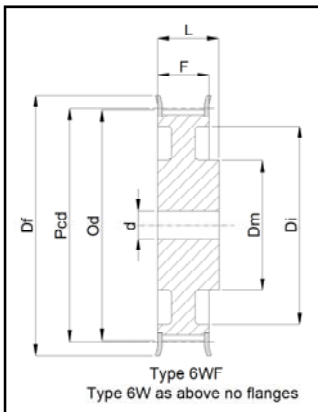
# 14M (14mm PITCH)

## HTD 14M 40 Pilot Bore Pulleys to suit 40mm wide belt



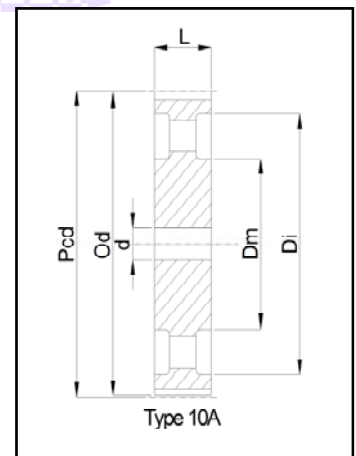
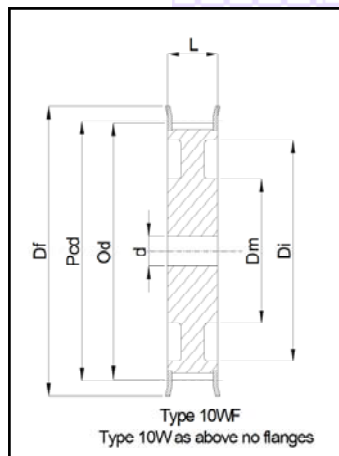
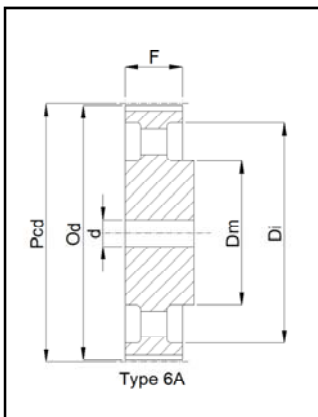
Pulley No.	Type	Teeth	Pcd	Od	Dm	Di	Df	F	L	d	Weight	
28 14M 40	STEEL	6F	28	124.78	122.12	100	—	128	54	69	24	4.8
29 14M 40		6F	29	129.23	126.57	100	—	138	54	69	24	5.2
30 14M 40		6F	30	133.69	130.99	100	—	138	54	69	24	5.4
32 14M 40		6F	32	142.60	139.88	100	—	154	54	69	24	6.5
34 14M 40		6F	34	151.52	148.79	100	—	160	54	69	24	6.6
36 14M 40		6F	36	160.43	157.68	120	—	168	54	69	24	7.7
38 14M 40		6F	38	169.34	166.60	120	—	183	54	69	24	9.0
40 14M 40		6F	40	178.25	175.49	120	—	188	54	69	24	9.6
44 14M 40		6F	44	196.08	193.28	135	—	211	54	69	24	11.8
48 14M 40		6WF	48	213.90	211.11	135	170	226	54	69	24	12.0
56 14M 40	6WF	56	249.55	246.76	135	207	256	54	69	28	14.0	
64 14M 40	6WF	64	285.21	282.41	135	240	296	54	69	28	16.5	
72 14M 40	CAST IRON	6A	72	320.86	318.06	135	278	—	54	69	28	16.5
80 14M 40		6A	80	356.51	353.71	135	314	—	54	69	28	18.5
90 14M 40		6A	90	401.07	398.28	135	358	—	54	69	28	20.0
112 14M 40		6A	112	499.11	496.32	135	456	—	54	69	28	26.7
144 14M 40		6A	144	641.71	638.92	135	600	—	54	69	28	35.0
168 14M 40		6A	168	748.66	745.87	135	709	—	54	69	28	44.2
192 14M 40		6A	192	855.62	852.82	135	813	—	54	69	28	52.2
216 14M 40		6A	216	962.57	959.76	150	920	—	54	69	28	60.0

## HTD 14M 55 Pilot Bore Pulleys to suit 55mm wide belt



Pulley No.	Type	Teeth	Pcd	Od	Dm	Di	Df	F	L	d	Weight	
28 14M 55	STEEL	6F	28	124.78	122.12	100	—	128	70	85	24	5.6
29 14M 55		6F	29	129.23	126.57	100	—	138	70	85	24	6.2
30 14M 55		6F	30	133.69	130.99	100	—	138	70	85	24	7.0
32 14M 55		6F	32	142.60	139.88	100	—	154	70	85	24	7.8
34 14M 55		6F	34	151.52	148.79	100	—	160	70	85	24	8.3
36 14M 55		6F	36	160.43	157.68	100	—	168	70	85	24	9.6
38 14M 55		6F	38	169.34	166.60	120	—	183	70	85	24	11.2
40 14M 55		6F	40	178.25	175.49	120	—	188	70	85	24	12.5
44 14M 55		6F	44	196.08	193.28	120	—	211	70	85	24	15.0
48 14M 55		10WF	48	213.90	211.11	135	170	226	70	70	24	13.7
56 14M 55	10WF	56	249.55	246.76	135	207	256	70	70	28	15.2	
64 14M 55	10WF	64	285.21	282.41	135	240	296	70	70	28	18.7	
72 14M 55	CAST IRON	10A	72	320.86	318.06	135	278	—	70	70	28	19.2
80 14M 55		10A	80	356.51	353.71	135	314	—	70	70	28	20.0
90 14M 55		10A	90	401.07	398.28	135	358	—	70	70	28	22.6
112 14M 55		10A	112	499.11	496.32	135	456	—	70	70	28	29.5
144 14M 55		10A	144	641.71	638.92	135	600	—	70	70	28	39.0
168 14M 55		10A	168	748.66	745.87	135	706	—	70	70	28	51.0
192 14M 55		10A	192	855.62	852.82	135	813	—	70	70	28	58.5
216 14M 55		10A	216	962.57	959.76	150	920	—	70	70	28	69.3

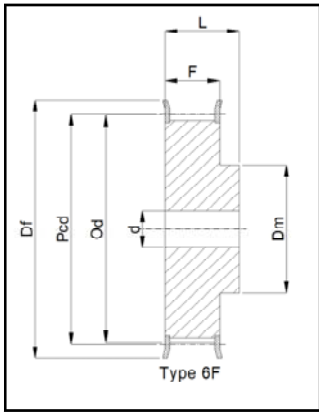
Phosphated finish for all steel and cast iron pulleys. Dimensions in tables are in mm



# HTD Timing Pulleys

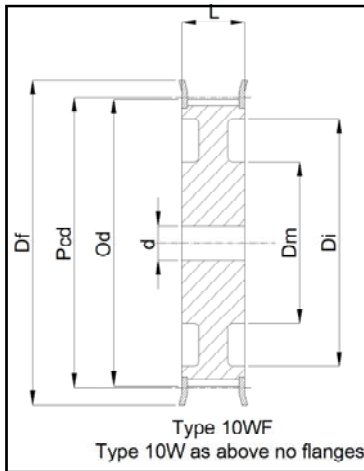
# 14M (14mm PITCH)

## HTD 14M 85 Pilot Bore Pulleys to suit 85mm wide belt



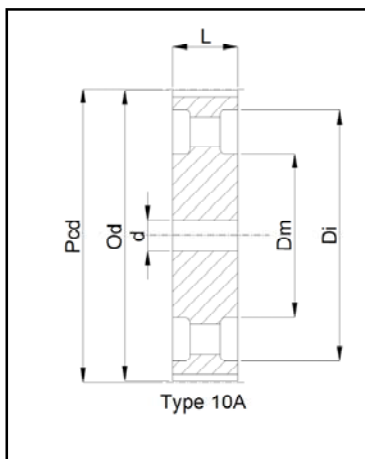
Pulley No.	Type	Teeth	Pcd	Od	Dm	Di	Df	F	L	d	Weight	
28 14M 85	STEEL	6F	28	124.78	122.12	100	—	128	102	117	—	8.3
29 14M 85		6F	29	129.23	126.57	100	—	138	102	117	—	8.8
30 14M 85		6F	30	133.69	130.99	100	—	138	102	117	—	9.2
32 14M 85		6F	32	142.60	139.88	100	—	154	102	117	—	11.0
34 14M 85		6F	34	151.52	148.79	100	—	160	102	117	—	12.0
36 14M 85		6F	36	160.43	157.68	100	—	168	102	117	—	13.2
38 14M 85		6F	38	169.34	166.60	120	—	183	102	117	—	15.2
40 14M 85		6F	40	178.25	175.49	135	—	188	102	117	—	17.1
44 14M 85		6F	44	196.08	193.28	135	—	211	102	117	—	21.2
48 14M 85		6F	48	213.90	211.11	150	—	226	102	117	—	25.3
56 14M 85	10WF	56	249.55	246.76	150	207	256	102	102	32	23.4	
64 14M 85	10WF	64	285.21	282.41	150	240	296	102	102	32	27.2	
72 14M 85	CAST IRON	10A	72	320.86	318.06	150	278	—	102	102	32	28.8
80 14M 85		10A	80	356.51	353.71	150	314	—	102	102	32	30.1
90 14M 85		10A	90	401.07	398.28	150	358	—	102	102	32	33.0
112 14M 85		10A	112	499.11	496.32	150	456	—	102	102	32	41.8
144 14M 85		10A	144	641.71	638.92	150	600	—	102	102	32	52.3
168 14M 85		10A	168	748.66	745.87	150	706	—	102	102	32	60.3
192 14M 85		10A	192	855.62	852.82	165	813	—	102	102	32	86.0
216 14M 85	10A	216	962.57	959.76	165	920	—	102	102	32	94.5	

## HTD 14M 115 Pilot Bore Pulleys to suit 115mm wide belt



Pulley No.	Type	Teeth	Pcd	Od	Dm	Di	Df	F	L	d	Weight	
28 14M 115	STEEL	6F	28	124.78	122.12	100	—	128	133	148	—	10.0
29 14M 115		6F	29	129.23	126.57	100	—	138	133	148	—	11.0
30 14M 115		6F	30	133.69	130.99	100	—	138	133	148	—	11.5
32 14M 115		6F	32	142.60	139.88	100	—	154	133	148	—	13.2
34 14M 115		6F	34	151.52	148.79	100	—	160	133	148	—	14.8
36 14M 115		6F	36	160.43	157.68	120	—	168	133	148	—	16.6
38 14M 115		6F	38	169.34	166.60	120	—	183	133	148	—	19.5
40 14M 115		6F	40	178.25	175.49	135	—	188	133	148	—	22.1
44 14M 115		6F	44	196.08	193.28	140	—	211	133	148	—	27.0
48 14M 115		6F	48	213.90	211.11	150	—	226	133	148	—	32.0
56 14M 115	6F	56	249.55	246.76	150	—	256	133	148	—	44.2	
64 14M 115	10WF	64	285.21	282.41	150	240	296	133	148	32	30.1	
72 14M 115	CAST IRON	10A	72	320.86	318.06	150	278	—	133	133	32	36.1
80 14M 115		10A	80	356.51	353.71	150	314	—	133	133	32	38.6
90 14M 115		10A	90	401.07	398.28	150	358	—	133	133	32	41.0
112 14M 115		10A	112	499.11	496.32	150	456	—	133	133	32	52.0
144 14M 115		10A	144	641.71	638.92	165	600	—	133	133	32	67.8
168 14M 115		10A	168	748.66	745.87	165	706	—	133	133	32	84.0
192 14M 115		10A	192	855.62	852.82	165	813	—	133	133	32	101.0
216 14M 115	10A	216	962.57	959.76	165	920	—	133	133	32	119.1	

## HTD 14M 170 Pilot Bore Pulleys



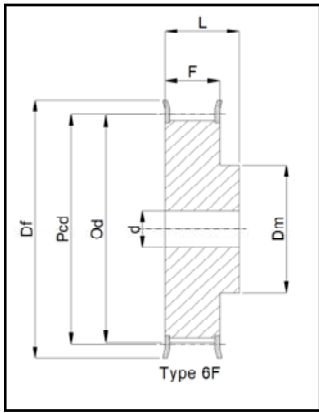
Pulley No.	Type	Teeth	Pcd	Od	Dm	Di	Df	F	L	d	Weight	
28 14M 170	STEEL	6F	28	124.78	122.12	100	—	128	187	202	—	13.8
29 14M 170		6F	29	129.23	126.57	100	—	138	187	202	—	14.2
30 14M 170		6F	30	133.69	130.99	100	—	138	187	202	—	15.6
32 14M 170		6F	32	142.60	139.88	100	—	154	187	202	—	18.1
34 14M 170		6F	34	151.52	148.79	100	—	160	187	202	—	20.4
36 14M 170		6F	36	160.43	157.68	120	—	168	187	202	—	23.5
38 14M 115		6F	38	169.34	166.60	135	—	183	187	202	—	26.5
40 14M 170		6F	40	178.25	175.49	140	—	188	187	202	—	30.1
44 14M 170		6F	44	196.08	193.28	160	—	211	187	202	—	37.8
48 14M 170		6F	48	213.90	211.11	160	—	226	187	202	—	44.5
56 14M 170	6F	56	249.55	246.76	160	—	256	187	202	—	61.0	
64 14M 170	6F	64	285.21	282.41	180	—	296	187	202	—	81.0	
72 14M 170	CAST IRON	10W	72	320.86	318.06	180	278	—	187	187	32	61.4
80 14M 170		10W	80	356.51	353.71	180	314	—	187	187	32	72.0
90 14M 170		10A	90	401.07	398.28	180	358	—	187	187	38	68.0
112 14M 170		10A	112	499.11	496.32	200	456	—	187	187	38	87.5
144 14M 170		10A	144	641.71	638.92	220	600	—	187	187	38	114.0
168 14M 170		10A	168	748.66	745.87	220	706	—	187	187	38	142.0
192 14M 170		10A	192	855.62	852.82	220	813	—	187	187	38	157.5
216 14M 170	10A	216	962.57	959.76	220	920	—	187	187	38	186.9	

Phosphated finish for all steel and cast iron pulleys. Dimensions in tables are in mm

# HTD Timing Pulleys

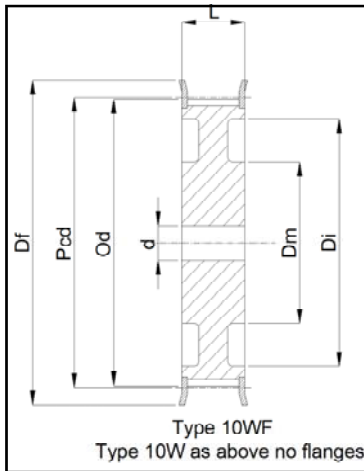
# 14M (14mm PITCH)

## HTD 14M 85 Pilot Bore Pulleys to suit 85mm wide belt

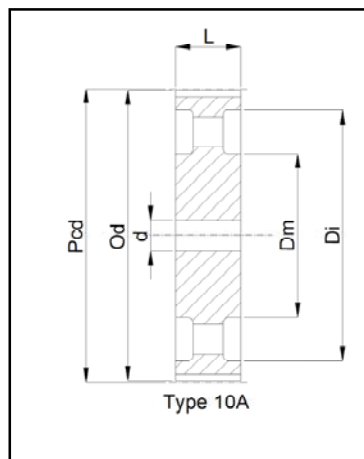


Pulley No.	Type	Teeth	Pcd	Od	Dm	Di	Df	F	L	d	Weight	
28 14M 85	STEEL	6F	28	124.78	122.12	100	—	128	102	117	—	8.3
29 14M 85		6F	29	129.23	126.57	100	—	138	102	117	—	8.8
30 14M 85		6F	30	133.69	130.99	100	—	138	102	117	—	9.2
32 14M 85		6F	32	142.60	139.88	100	—	154	102	117	—	11.0
34 14M 85		6F	34	151.52	148.79	100	—	160	102	117	—	12.0
36 14M 85		6F	36	160.43	157.68	100	—	168	102	117	—	13.2
38 14M 85		6F	38	169.34	166.60	120	—	183	102	117	—	15.2
40 14M 85		6F	40	178.25	175.49	135	—	188	102	117	—	17.1
44 14M 85		6F	44	196.08	193.28	135	—	211	102	117	—	21.2
48 14M 85		6F	48	213.90	211.11	150	—	226	102	117	—	25.3
56 14M 85	10WF	56	249.55	246.76	150	207	256	102	102	32	23.4	
64 14M 85		64	285.21	282.41	150	240	296	102	102	32	27.2	
72 14M 85	CAST IRON	10A	72	320.86	318.06	150	278	—	102	102	32	28.8
80 14M 85		10A	80	356.51	353.71	150	314	—	102	102	32	30.1
90 14M 85		10A	90	401.07	398.28	150	358	—	102	102	32	33.0
112 14M 85		10A	112	499.11	496.32	150	456	—	102	102	32	41.8
144 14M 85		10A	144	641.71	638.92	150	600	—	102	102	32	52.3
168 14M 85		10A	168	748.66	745.87	150	706	—	102	102	32	60.3
192 14M 85	10A	192	855.62	852.82	165	813	—	102	102	32	86.0	
216 14M 85	10A	216	962.57	959.76	165	920	—	102	102	32	94.5	

## HTD 14M 115 Pilot Bore Pulleys to suit 115mm wide belt



Pulley No.	Type	Teeth	Pcd	Od	Dm	Di	Df	F	L	d	Weight	
28 14M 115	STEEL	6F	28	124.78	122.12	100	—	128	133	148	—	10.0
29 14M 115		6F	29	129.23	126.57	100	—	138	133	148	—	11.0
30 14M 115		6F	30	133.69	130.99	100	—	138	133	148	—	11.5
32 14M 115		6F	32	142.60	139.88	100	—	154	133	148	—	13.2
34 14M 115		6F	34	151.52	148.79	100	—	160	133	148	—	14.8
36 14M 115		6F	36	160.43	157.68	120	—	168	133	148	—	16.6
38 14M 115		6F	38	169.34	166.60	120	—	183	133	148	—	19.5
40 14M 115		6F	40	178.25	175.49	135	—	188	133	148	—	22.1
44 14M 115		6F	44	196.08	193.28	140	—	211	133	148	—	27.0
48 14M 115		6F	48	213.90	211.11	150	—	226	133	148	—	32.0
56 14M 115	10WF	56	249.55	246.76	150	—	256	133	148	—	44.2	
64 14M 115		64	285.21	282.41	150	240	296	133	148	32	30.1	
72 14M 115	CAST IRON	10A	72	320.86	318.06	150	278	—	133	133	32	36.1
80 14M 115		10A	80	356.51	353.71	150	314	—	133	133	32	38.6
90 14M 115		10A	90	401.07	398.28	150	358	—	133	133	32	41.0
112 14M 115		10A	112	499.11	496.32	150	456	—	133	133	32	52.0
144 14M 115		10A	144	641.71	638.92	165	600	—	133	133	32	67.8
168 14M 115		10A	168	748.66	745.87	165	706	—	133	133	32	84.0
192 14M 115	10A	192	855.62	852.82	165	813	—	133	133	32	101.0	
216 14M 115	10A	216	962.57	959.76	165	920	—	133	133	32	119.1	



## HTD 14M 170 Pilot Bore Pulleys

Pulley No.	Type	Teeth	Pcd	Od	Dm	Di	Df	F	L	d	Weight	
28 14M 170	STEEL	6F	28	124.78	122.12	100	—	128	187	202	—	13.8
29 14M 170		6F	29	129.23	126.57	100	—	138	187	202	—	14.2
30 14M 170		6F	30	133.69	130.99	100	—	138	187	202	—	15.6
32 14M 170		6F	32	142.60	139.88	100	—	154	187	202	—	18.1
34 14M 170		6F	34	151.52	148.79	100	—	160	187	202	—	20.4
36 14M 170		6F	36	160.43	157.68	120	—	168	187	202	—	23.5
38 14M 170		6F	38	169.34	166.60	135	—	183	187	202	—	26.5
40 14M 170		6F	40	178.25	175.49	140	—	188	187	202	—	30.1
44 14M 170		6F	44	196.08	193.28	160	—	211	187	202	—	37.8
48 14M 170		6F	48	213.90	211.11	160	—	226	187	202	—	44.5
56 14M 170	6F	56	249.55	246.76	160	—	256	187	202	—	61.0	
64 14M 170		64	285.21	282.41	180	—	296	187	202	—	81.0	
72 14M 170	CAST IRON	10W	72	320.86	318.06	180	278	—	187	187	32	61.4
80 14M 170		10W	80	356.51	353.71	180	314	—	187	187	32	72.0
90 14M 170		10A	90	401.07	398.28	180	358	—	187	187	38	68.0
112 14M 170		10A	112	499.11	496.32	200	456	—	187	187	38	87.5
144 14M 170		10A	144	641.71	638.92	220	600	—	187	187	38	114.0
168 14M 170		10A	168	748.66	745.87	220	706	—	187	187	38	142.0
192 14M 170	10A	192	855.62	852.82	220	813	—	187	187	38	157.5	
216 14M 170	10A	216	962.57	959.76	220	920	—	187	187	38	186.9	

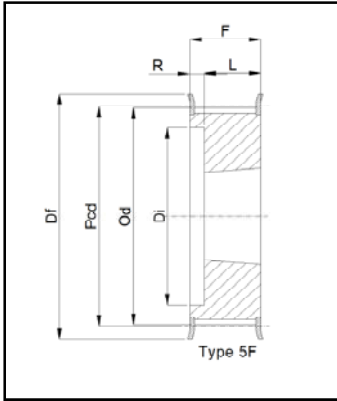
Phosphated finish for all steel and cast iron pulleys. Dimensions in tables are in mm

# HTD Timing Pulleys

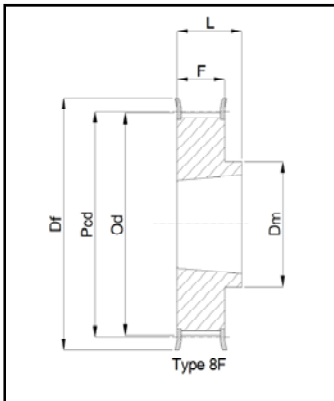
# 8M (8mm PITCH)

## 8M HTD (8mm Pitch)

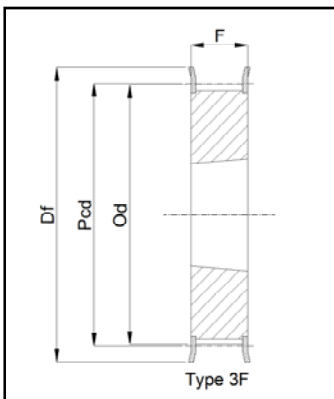
### HTD 8M 20 Taper Lock Pulleys to suit 20mm wide belt



Pulley No.	Type	Bush	Pcd	Od	Dm	Di	Df	F	L	R	Weight (kg)	
20 8M 20	STEEL	5F	1008	50.92	49.55	—	37	54	28	22	6	0.17
22 8M 20		5F	1108	56.02	54.65	—	37	60	28	22	6	0.24
24 8M 20		5F	1108	61.12	59.75	—	44	66	28	22	6	0.30
26 8M 20		5F	1108	66.21	64.85	—	45	70	28	22	6	0.36
28 8M 20		5F	1108	71.30	70.08	—	50	75	28	22	6	0.44
30 8M 20		5F	1610	76.39	75.13	—	58	83	28	22	6	0.53
32 8M 20		5F	1610	81.49	80.16	—	63	87	28	25	3	0.42
34 8M 20		5F	1610	86.58	85.22	—	64	91	28	25	3	0.55
36 8M 20		5F	1610	91.67	90.30	—	68	97	28	25	3	0.68
38 8M 20		5F	1610	96.77	95.39	—	72	102	28	25	3	0.80
40 8M 20	CAST IRON	5F	1610	101.86	100.49	—	76	106	28	25	3	1.00
44 8M 20		8F	2012	112.05	110.67	92	—	120	28	32	4	1.20
48 8M 20		8F	2012	122.23	120.86	96	—	128	28	32	4	1.60
56 8M 20		8F	2012	142.60	141.23	110	—	150	28	32	4	2.40
64 8M 20		8WF	2012	162.97	161.60	110	137	168	28	32	4	2.70
72 8M 20		8WF	2012	183.35	181.97	110	158	192	28	32	4	3.30
80 8M 20		8W	2012	203.72	202.35	110	180	—	28	32	4	3.50
90 8M 20		8W	2012	229.18	227.81	110	204	—	28	32	4	3.65
144 8M 20		7A	2517	366.69	365.32	125	336	—	28	45	—	—

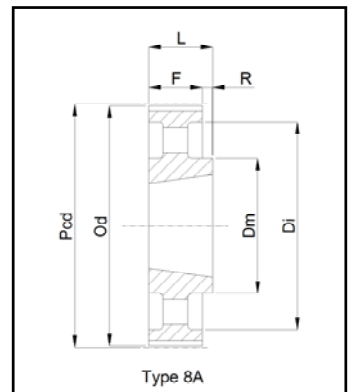
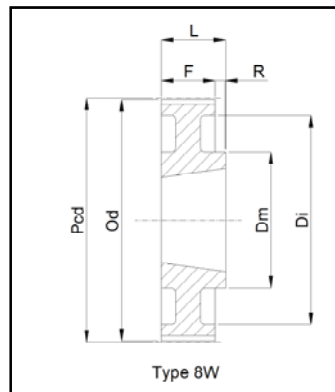
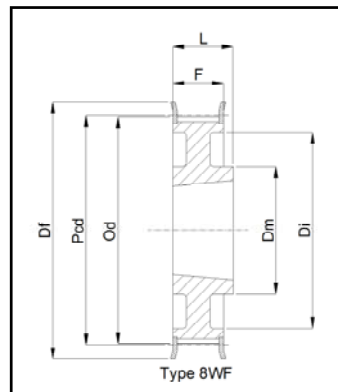
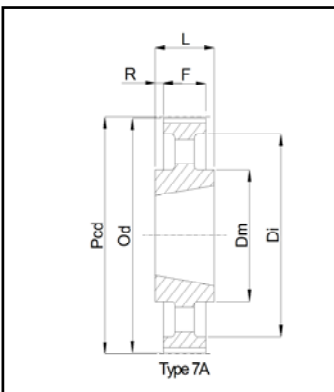


### HTD 8M 30 Taper Lock Pulleys to suit 30mm wide belt



Pulley No.	Type	Bush	Pcd	Od	Dm	Di	Df	F	L	R	Weight (kg)	
20 8M 30	STEEL	5F	1108	50.92	49.55	—	37	54	38	22	16	0.21
22 8M 30		5F	1108	56.02	54.65	—	37	60	38	22	16	0.29
24 8M 30		5F	1108	61.12	59.75	—	44	66	38	22	16	0.38
26 8M 30		5F	1210	66.21	64.85	—	44	70	38	22	16	0.45
28 8M 30		5F	1210	71.30	70.08	—	50	75	38	25	13	0.50
30 8M 30		3F	1615	76.39	75.13	—	—	83	38	38	—	0.55
32 8M 30		3F	1615	81.49	80.16	—	—	87	38	38	—	0.59
34 8M 30		3F	1615	86.58	85.22	—	—	91	38	38	—	0.77
36 8M 30		3F	1615	91.67	90.30	—	—	97	38	38	—	0.96
38 8M 30		3F	1615	96.77	95.39	—	—	102	38	38	—	1.15
40 8M 30	CAST IRON	3F	1615	101.86	100.49	—	—	106	38	38	—	1.34
44 8M 30		5F	2012	112.05	110.67	—	86	120	38	32	6	1.50
48 8M 30		5F	2012	122.23	120.86	—	90	128	38	32	6	2.00
56 8M 30		5F	2012	142.60	141.23	—	110	150	38	32	6	3.11
64 8M 30		8F	2517	162.97	161.60	125	—	168	38	45	7	4.20
72 8M 30		8WF	2517	183.35	181.97	125	158	192	38	45	7	4.30
80 8M 30		8W	2517	203.72	202.35	125	180	—	38	45	7	4.60
90 8M 30		8W	2517	229.18	227.81	125	204	—	38	45	7	6.20
112 8M 30		8W	2517	285.12	283.83	125	254	—	38	45	7	8.00
144 8M 30		8A	2517	366.69	365.32	125	336	—	38	45	7	9.00

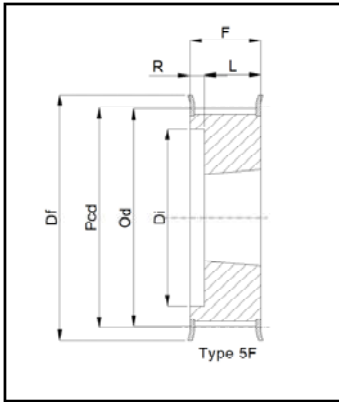
Phosphated finish for all steel and cast iron pulleys. Dimensions in tables are in mm



# HTD Timing Pulleys

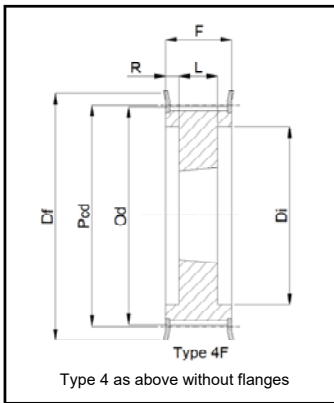
# 8M (8mm PITCH)

## 8M HTD (8mm Pitch)



HTD 8M 50 Taper Lock Pulleys to suit 50mm wide belt

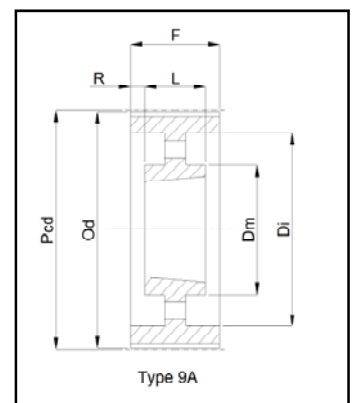
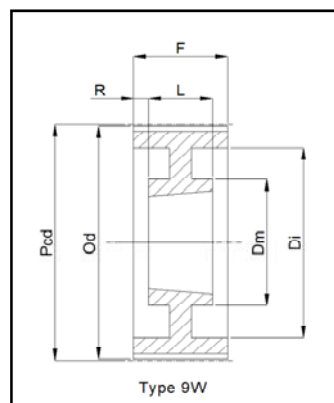
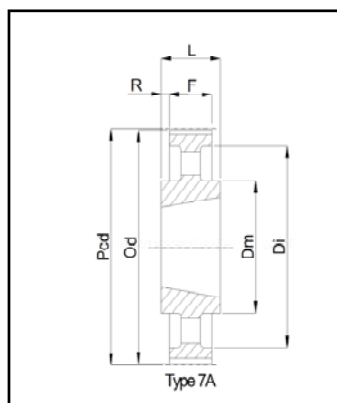
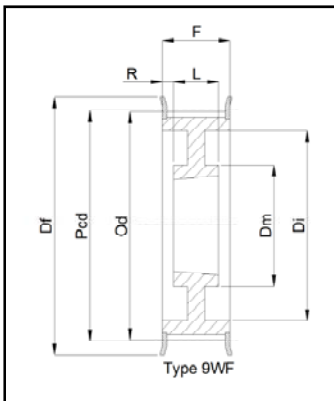
Pulley No.	Type	Bush	Pcd	Od	Dm	Di	Df	F	L	R	Weight (kg)	
22 8M 50	STEEL	5F	1008	56.02	—	37	60	60	21	39	0.49	
24 8M 50		5F	1108	61.12	—	44	66	60	21	39	0.52	
26 8M 50		5F	1108	66.21	64.85	—	44	70	60	21	39	0.75
28 8M 50		5F	1210	71.30	70.08	—	50	75	60	25	35	0.60
30 8M 50		5F	1615	76.39	75.13	—	58	83	60	38	22	0.65
32 8M 50		5F	1615	81.49	80.16	—	63	87	60	38	22	0.82
34 8M 50		5F	1615	86.58	85.22	—	65	91	60	38	22	1.06
36 8M 50		5F	1615	91.67	90.30	—	68	97	60	38	22	1.30
38 8M 50		5F	1615	96.77	95.39	—	72	102	60	38	22	1.60
40 8M 50		4F	2012	101.86	100.49	—	80	106	60	32	14	1.71
44 8M 50	CAST IRON	4F	2012	112.05	110.67	—	86	120	60	32	14	1.78
48 8M 50		4F	2012	122.23	120.86	—	95	128	60	32	14	2.30
56 8M 50		4F	2517	142.60	141.23	—	116	150	60	45	7.5	3.40
64 8M 50		4F	2517	162.97	161.60	—	136	168	60	45	7.5	5.00
72 8M 50		9WF	2517	183.35	181.97	125	158	192	60	45	7.5	6.10
80 8M 50		4	3020	203.72	202.35	—	180	—	60	51	4.5	8.80
90 8M 50		9W	3020	229.18	227.81	160	204	—	60	51	4.5	10.00
112 8M 50		9W	3020	285.12	283.83	170	254	—	60	51	4.5	12.00
144 8M 50		9A	3020	366.69	365.32	170	336	—	60	51	4.5	15.20
168 8M 50		7A	3525	427.81	426.44	198	395	—	60	65	2.5	16.40
192 8M 50	7A	3525	488.92	487.55	198	455	—	60	65	2.5	21.80	



HTD 8M 85 Taper Lock Pulleys to suit 85mm wide belt

Pulley No.	Type	Bush	Pcd	Od	Dm	Di	Df	F	L	R	Weight (kg)	
34 8M 85	STEEL	4F	1615	86.58	—	65	91	95	38	28.5	1.43	
36 8M 85		4F	1615	91.67	90.30	—	68	97	38	28.5	1.87	
38 8M 85		4F	1615	96.77	95.39	—	72	102	38	28.5	2.20	
40 8M 85		4F	2012	101.86	100.49	—	80	106	32	31.5	1.80	
44 8M 85		4F	2012	112.05	110.67	—	86	120	32	31.5	2.30	
48 8M 85		4F	2517	122.23	120.86	—	97	128	45	25	2.66	
56 8M 85	4F	2517	142.60	141.23	—	116	150	45	25	4.45		
64 8M 85	4F	2517	162.97	161.60	—	136	168	45	25	6.20		
72 8M 85	4F	3020	183.35	181.97	—	150	192	51	22	8.00		
80 8M 85	CAST IRON	4	3020	203.72	202.35	—	180	—	95	51	22	10.00
90 8M 85		4	3020	229.18	227.81	—	204	—	95	51	22	13.00
112 8M 85		9W	3020	285.12	283.83	170	254	—	95	51	22	15.00
144 8M 85		9W	3525	366.69	365.32	198	336	—	95	65	15	20.00
168 8M 85		9A	3525	427.81	426.44	198	395	—	95	65	15	23.00
192 8M 85		9A	3525	488.92	487.55	198	455	—	95	65	15	28.50

Phosphated finish for all steel and cast iron pulleys. Dimensions in tables are in mm

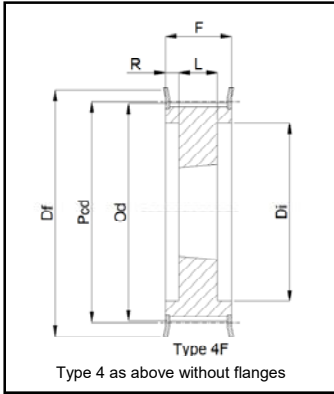


# HTD Timing Pulleys

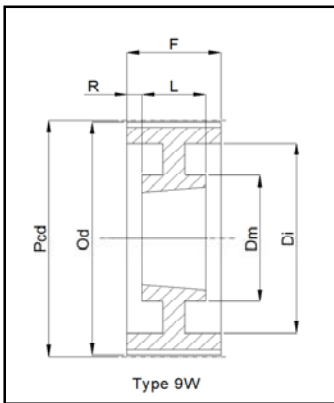
# 14M (14mm PITCH)

## 14M HTD (14mm Pitch)

### HTD 14M 40 Taper Lock Pulleys to suit 40mm wide belt

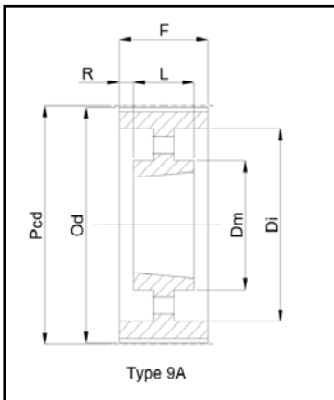


Pulley No.	Type	Bush	Pcd	Od	Dm	Di	Df	F	L	R	Weight (kg)
28 14M 40	STEEL	4F 2012	124.78	122.12	—	94	128	54	32	11	2.07
29 14M 40		4F 2012	129.23	126.57	—	98	138	54	32	11	2.38
30 14M 40		4F 2012	133.69	130.99	—	98	138	54	32	11	2.65
32 14M 40		4F 2012	142.60	139.88	—	108	154	54	32	11	3.40
34 14M 40		4F 2517	151.52	148.79	—	110	160	54	45	4.5	3.87
36 14M 40		4F 2517	160.43	157.68	—	120	168	54	45	4.5	4.80
38 14M 40		4F 2517	169.34	166.60	—	130	183	54	45	4.5	5.40
40 14M 40		4F 2517	178.25	175.49	—	138	188	54	45	4.5	6.00
44 14M 40		4F 3020	196.08	193.28	—	155	211	54	51	1.5	7.80
48 14M 40		4F 3020	213.90	211.11	—	170	226	54	51	1.5	9.40
56 14M 40	4F 3020	249.55	246.76	—	208	256	54	51	1.5	12.50	
64 14M 40	9WF 3020	285.21	282.41	170	240	296	54	51	1.5	13.40	
72 14M 40	CAST IRON	9W 3020	320.86	318.06	170	280	—	54	51	1.5	15.20
80 14M 40		9A 3020	356.51	353.71	170	315	—	54	51	1.5	16.00
90 14M 40		9A 3020	401.07	398.28	170	360	—	54	51	1.5	17.80
112 14M 40		9A 3020	499.11	496.32	170	457	—	54	51	1.5	25.60
144 14M 40		9A 3020	641.71	638.92	170	600	—	54	51	1.5	32.00
168 14M 40		9A 3020	748.66	745.87	170	706	—	54	51	1.5	44.00
192 14M 40		9A 3020	855.62	852.82	170	813	—	54	51	1.5	49.00
216 14M 40		9A 3020	962.57	959.76	170	920	—	54	51	1.5	55.00

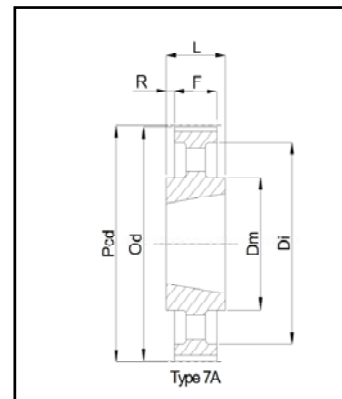
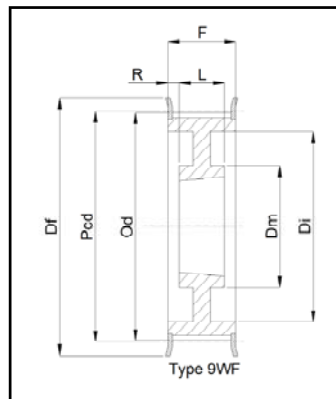


### HTD 14M 55 Taper Lock Pulleys to suit 55mm wide belt

Pulley No.	Type	Bush	Pcd	Od	Dm	Di	Df	F	L	R	Weight (kg)
28 14M 55	STEEL	4F 2012	124.78	122.12	—	94	128	70	32	19	2.20
29 14M 55		4F 2012	129.23	126.57	—	100	138	70	32	19	2.74
30 14M 55		4F 2517	133.69	130.99	—	100	138	70	45	12.5	2.70
32 14M 55		4F 2517	142.60	139.88	—	108	154	70	45	12.5	3.66
34 14M 55		4F 2517	151.52	148.79	—	110	160	70	45	12.5	4.55
36 14M 55		4F 2517	160.43	157.68	—	120	168	70	45	12.5	5.20
38 14M 55		4F 2517	169.34	166.60	—	130	183	70	45	12.5	6.20
40 14M 55		4F 2517	178.25	175.49	—	138	188	70	45	12.5	7.00
44 14M 55		4F 3020	196.08	193.28	—	155	211	70	51	9.5	8.60
48 14M 55		4F 3020	213.90	211.11	—	170	226	70	51	9.5	10.40
56 14M 55	4F 3020	249.55	246.76	—	208	256	70	51	9.5	13.50	
64 14M 55	9WF 3020	285.21	282.41	170	240	296	70	51	9.5	14.50	
72 14M 55	CAST IRON	9W 3020	320.86	318.06	170	280	—	70	51	9.5	16.20
80 14M 55		9A 3020	356.51	353.71	170	315	—	70	51	9.5	17.50
90 14M 55		9A 3020	401.07	398.28	170	360	—	70	51	9.5	20.10
112 14M 55		9A 3020	499.11	496.32	170	457	—	70	51	9.5	28.40
144 14M 55		9A 3020	641.71	638.92	170	600	—	70	51	9.5	36.20
168 14M 55		9A 3020	748.66	745.87	170	706	—	70	51	9.5	49.00
192 14M 55		9A 3020	855.62	852.82	170	813	—	70	51	9.5	53.00
216 14M 55		7A 3535	962.57	959.76	170	920	—	70	89	9.5	65.80



Phosphated finish for all steel and cast iron pulleys. Dimensions in tables are in mm

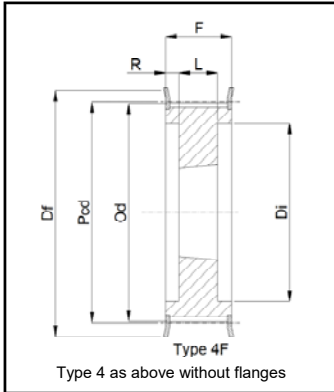


# HTD Timing Pulleys

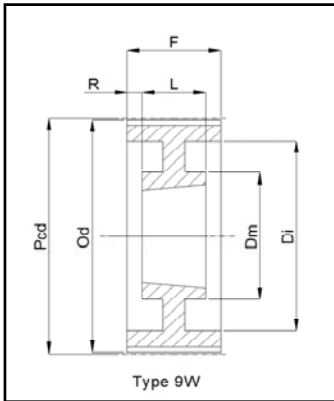
# 14M (14mm PITCH)

## 14M HTD (14mm Pitch)

### HTD 14M 85 Taper Lock Pulleys to suit 85mm wide belt

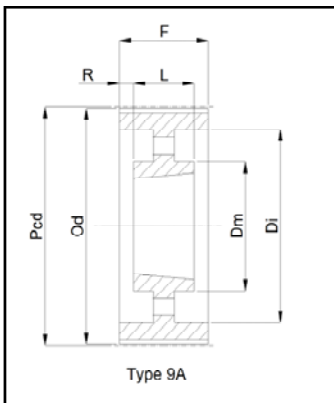


Pulley No.	Type	Bush	Pcd	Od	Dm	Di	Df	F	L	R	Weight (kg)
28 14M 85	4F	2517	124.78	122.12	—	98	128	102	45	28.5	2.70
29 14M 85	4F	2517	129.23	126.57	—	100	138	102	45	28.5	3.40
30 14M 85	4F	2517	133.69	130.99	—	100	138	102	45	28.5	3.75
32 14M 85	4F	2517	142.60	139.88	—	108	154	102	45	28.5	4.80
34 14M 85	4F	2517	151.52	148.79	—	110	160	102	45	28.5	6.00
36 14M 85	4F	3020	160.43	157.68	—	125	168	102	45	28.5	5.80
38 14M 85	4F	3020	169.34	166.60	—	130	183	102	51	25.5	6.80
40 14M 85	4F	3020	178.25	175.49	—	138	188	102	51	25.5	8.00
44 14M 85	4F	3020	196.08	193.28	—	153	211	102	51	25.5	11.80
48 14M 85	4F	3020	213.90	211.11	—	171	226	102	51	25.5	15.10
56 14M 85	4F	3525	249.55	246.76	—	210	256	102	65	18.5	19.00
64 14M 85	9WF	3525	285.21	282.41	190	240	296	102	65	18.5	23.00
72 14M 85	9W	3525	320.86	318.06	190	280	—	102	65	18.5	25.00
80 14M 85	9A	3525	356.51	353.71	190	315	—	102	65	18.5	26.00
90 14M 85	9A	3525	401.07	398.28	190	360	—	102	65	18.5	27.80
112 14M 85	9A	3525	499.11	496.32	190	457	—	102	65	18.5	36.50
144 14M 85	9A	3525	641.71	638.92	190	600	—	102	65	18.5	48.00
168 14M 85	9A	3525	748.66	745.87	190	706	—	102	65	18.5	60.00
192 14M 85	3A	4040	855.62	852.82	230	813	—	102	102	—	86.00
216 14M 85	3A	4040	962.57	959.76	230	920	—	102	102	—	91.50

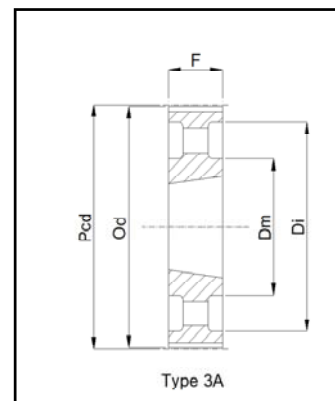
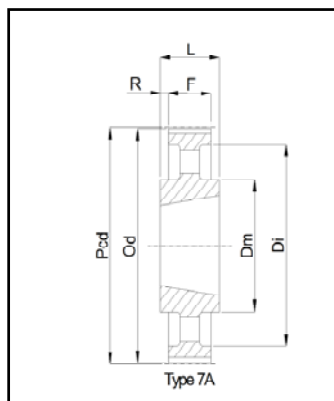
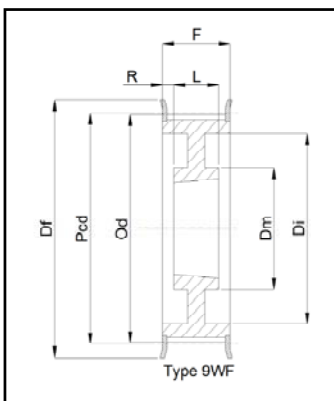


### HTD 14M 115 Taper Lock Pulleys to suit 115mm wide belt

Pulley No.	Type	Bush	Pcd	Od	Dm	Di	Df	F	L	R	Weight (kg)
28 14M 115	4F	2517	124.78	122.12	—	98	128	133	45	44	3.77
29 14M 115	4F	2517	129.23	126.57	—	100	138	133	45	44	4.00
30 14M 115	4F	2517	133.69	130.99	—	100	138	133	45	44	5.00
32 14M 115	4F	2517	142.60	139.88	—	108	154	133	45	44	6.80
34 14M 115	4F	2517	151.52	148.79	—	110	160	133	45	44	6.80
36 14M 115	4F	3020	160.43	157.68	—	125	168	133	51	41	7.00
38 14M 115	4F	3020	169.34	166.60	—	130	183	133	51	41	8.40
40 14M 115	4F	3020	178.25	175.49	—	138	188	133	51	41	9.20
44 14M 115	4F	3030	196.08	193.28	—	153	211	133	76	28.5	14.00
48 14M 115	4F	3030	213.90	211.11	—	171	226	133	76	28.5	17.10
56 14M 115	4F	3535	249.55	246.76	—	210	256	133	89	22	24.80
64 14M 115	9WF	3535	285.21	282.41	190	240	296	133	89	22	27.00
72 14M 115	9W	3535	320.86	318.06	190	280	—	133	89	22	29.00
80 14M 115	9A	3535	356.51	353.71	190	315	—	133	89	22	32.00
90 14M 115	9A	3535	401.07	398.28	190	360	—	133	89	22	36.50
112 14M 115	9A	3535	499.11	496.32	190	457	—	133	89	22	46.00
144 14M 115	9A	4040	641.71	638.92	230	600	—	133	102	15.5	68.00
168 14M 115	9A	4040	748.66	745.87	230	706	—	133	102	15.5	82.60
192 14M 115	9A	4040	855.62	852.82	230	813	—	133	102	15.5	96.00
216 14M 115	9A	4040	962.57	959.76	230	920	—	133	102	15.5	107.00



Phosphated finish for all steel and cast iron pulleys. Dimensions in tables are in mm





# HTD Timing Pulleys

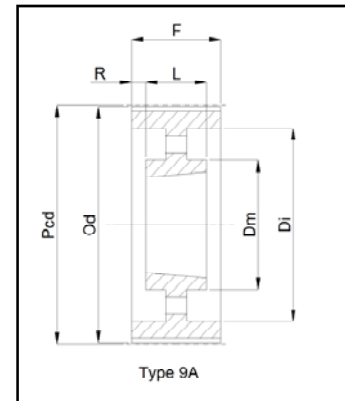
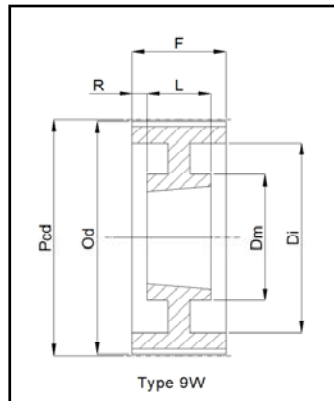
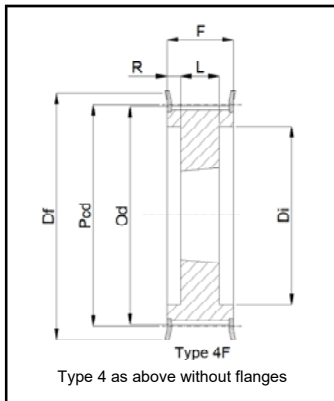
# 14M (14mm PITCH)

## 14M HTD (14mm Pitch)

### HTD 14M 170 Taper Lock Pulleys to suit 170mm wide belt

Pulley No.	Type	Bush	Pcd	Od	Dm	Di	Df	F	L	R	Weight (kg)	
38 14M 170	STEEL	4F	3030	169.34	166.60	—	130	183	187	76	55.5	11.7
40 14M 170		4F	3030	178.25	175.49	—	138	188	187	76	55.5	13.0
44 14M 170		4F	3535	196.08	193.28	—	155	211	187	89	49	15.0
48 14M 170		4F	3535	213.90	211.11	—	175	226	187	89	49	19.0
56 14M 170		4F	3535	249.55	246.76	—	210	256	187	89	49	28.5
64 14M 170	CAST IRON	4F	4040	285.21	282.41	—	240	296	187	102	42.5	41.0
72 14M 170		9W	4040	320.86	318.06	230	280	—	187	102	42.5	46.9
80 14M 170		9W	4040	356.51	353.71	230	315	—	187	102	42.5	48.0
90 14M 170		9A	4040	401.07	398.28	230	360	—	187	102	42.5	52.5
112 14M 170		9A	5050	499.11	496.32	265	457	—	187	127	30	74.5
144 14M 170		9A	5050	641.71	638.92	265	600	—	187	127	30	91.0
168 14M 170	9A	5050	748.66	745.87	265	706	—	187	127	30	116.0	
192 14M 170	9A	5050	855.62	852.82	265	813	—	187	127	30	134.0	
216 14M 170	9A	5050	962.57	959.76	265	920	—	187	127	30	146.0	

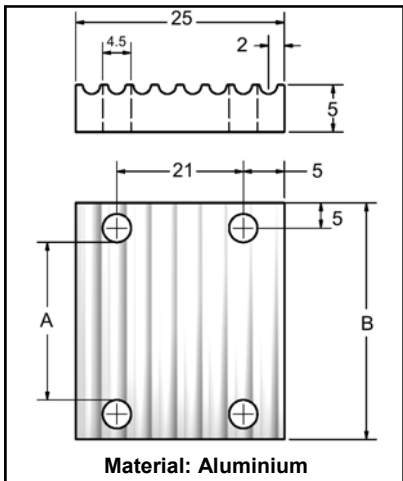
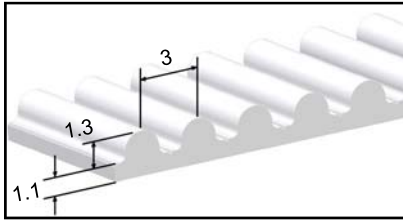
Phosphated finish for all steel and cast iron pulleys. Dimensions in tables are in mm



We also have a range of Locking Devices and Taper Lock Bushes

# HTD PU Open Length

## 3M HTD (3mm Pitch)



### Open Belts:

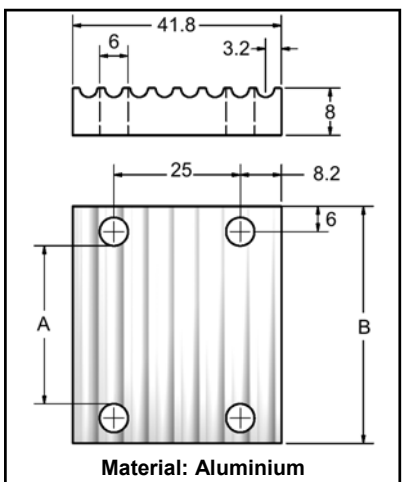
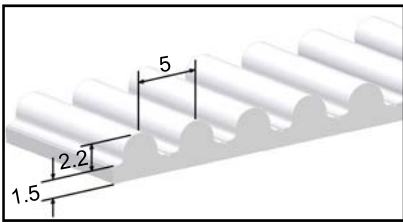
Standard Belt widths	6	10	15
Example Part Number	3,000 - 3M - 10 - LL		
3,000	3 meters Long		
3M	Pitch type		
10	10mm Wide		

Material:	White Polyurethane with Steel wire		
Shore Hardness:	90°A		
Width:	6	10	15
Max. Tensile Load (N):	176	294	469
Width Tolerance:	+/- 0.5mm		
Length Tolerance:	+/- 0.5mm/m		

### Clamp Plates:

Part Number	Belt Width "A" mm	Clamp Width "B" mm
3M-06 Clamp Plate	6	21
3M-10 Clamp Plate	10	24
3M-15 Clamp Plate	15	30

## 5M HTD (5mm Pitch)



### Open Belts:

Standard Belt widths	6	10	15	25
Example Part Number	10,000 - 5M - 25 - LL			
10,000	10 meters Long			
5M	Pitch type			
25	25mm Wide			

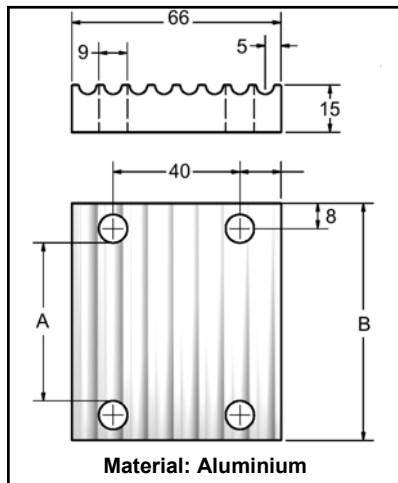
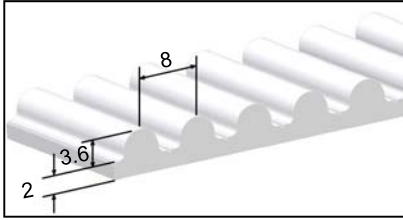
Material:	White Polyurethane with Steel wire			
Shore Hardness:	90°A			
Available Versions:	PAZ (Nylon coating on teeth) PAR (Nylon coating on back)			
Width:	6	10	15	25
Max. Tensile Load (N):	352	588	1239	1764
Width Tolerance:	+/- 0.5mm			
Length Tolerance:	+/- 0.5mm/m			

### Clamp Plates:

Part Number	Belt Width "A" mm	Clamp Width "B" mm
5M-10 Clamp Plate	10	28
5M-15 Clamp Plate	15	34
5M-25 Clamp Plate	25	44

# HTD PU Open Length

## 8M HTD (8mm Pitch)



### Open Belts:

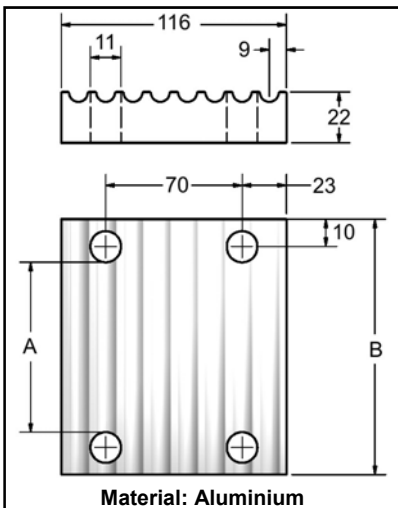
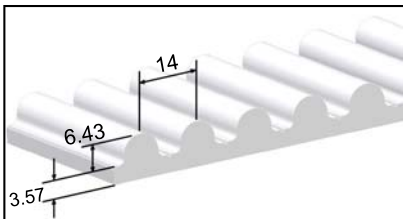
Standard Belt widths	15	20	30	50	85
Example Part Number	20,000 - 8M - 50 - LL				
20,000	20 meters Long				
8M	Pitch type				
50	50mm Wide				

Material:	White Polyurethane with Steel wire				
Shore Hardness:	90°A				
Available Versions:	PAZ (Nylon coating on teeth) PAR (Nylon coating on back)				
Width:	15	20	30	50	85
Max. Tensile Load (N):	2200	2940	4410	7350	12075
Width Tolerance:	+/- 0.5mm				
Length Tolerance:	+/- 0.5mm/m				

### Clamp Plates:

Part Number	Belt Width "A" mm	Clamp Width "B" mm
8M-20 Clamp Plate	20	45
8M-30 Clamp Plate	30	55
8M-50 Clamp Plate	50	75
8M-85 Clamp Plate	85	110

## 14M HTD (14mm Pitch)



### Open Belts:

Standard Belt widths	40	55	85	115
Example Part Number	30,000 - 14M - 85 - LL			
30,000	30 meters Long			
14M	Pitch type			
85	85mm Wide			

Material:	White Polyurethane with Steel wire			
Shore Hardness:	90°A			
Available Versions:	PAZ (Nylon coating on teeth) PAR (Nylon coating on back)			
Width:	40	55	85	115
Max. Tensile Load (N):	8925	12390	20475	23398
Width Tolerance:	+/- 1mm			
Length Tolerance:	+/- 0.5mm/m			

### Clamp Plates:

Part Number	Belt Width "A" mm	Clamp Width "B" mm
14M-40 Clamp Plate	40	71
14M-55 Clamp Plate	55	86
14M-85 Clamp Plate	85	116
14M-115 Clamp Plate	115	146

**PIES Australia are also suppliers of:**

- **Synchroflex Timing Belts & Pulleys**
- **Breco & Brecoflex Timing Belts**
- **Goodyear Industrial Air Springs**
- **Goodyear Automotive Air Springs**
- **Right Angle Gearboxes**
- **AeroGo Aerocastors**
- **Locking Devices**
- **24 Hour Breakdown Service**

Distributed by

***P.I.E.S.*** AUSTRALIA PTY LTD  
49 Freight Drive, Somerton, Victoria 3062

**Tel: 03 9303 2000 Fax: 03 9303 2099**

**[www.piesau.com.au](http://www.piesau.com.au)**

**[sales@piesau.com.au](mailto:sales@piesau.com.au)**